



SFERE

design **Simone Micheli**

**EUROPEAN
WARRANTY**

MATERIAL:

Super slim heating body in painted carbon steel.

FIXING KIT:

Brackets, airvent, hexagonal tool, plugs and screws for mounting suitable for use on compact or hollow brick, user notice.

The kit is certified from TÜV in compliance with VDI 6036-class 4.

VALVE KIT INCLUDES FOR STANDARD VERSION:

(ONLY FOR STANDARD VERSION):

Valves with thermostatic head

Fittings for copper pipe (Ø 12/14/15)

Fittings for multilayer pipe (Ø 16)

Ready - to install pipe connection kit

FOR WALL-FIT VERSION THE VALVES MUST BE PURCHASED SEPARATELY

VERSION FOR WALL-FIT VALVES INCLUDES:

2x1/2" connections

PACKAGING:

The radiator is protected by a film in polyethylene and with a carton box. User notice included.

PAINTING PROCESS:

Painted with ecological epoxy. (Certificate DIN 55900-1,-2).

Thermal outputs certified in accredited laboratories in compliance with European norm EN442.

COLOURS:

Radiator and accessories: standard white colour R01.

PRODUCT CERTIFICATES



Pression maximale de service: 5 bar

Température maximale de service: 110° C

Available for central heating systems

Connexions: n° 2 x 1/2" gaz - n° 1 x 1/2" gaz

AWARD



SFERE with wall-fit valves

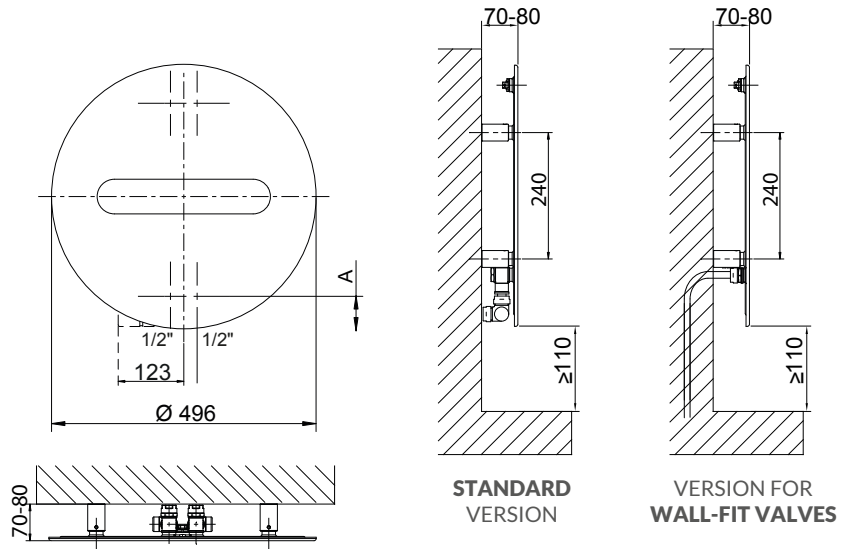
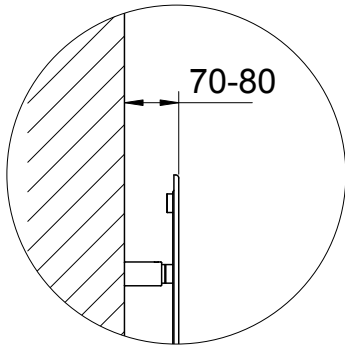


Wall-fit valves (OPTIONAL)



ACCESSORIES

	Manual wall-fit valves
	Fitting for wall-fit valves Copper connection Ø 12/14/15 Art. Nr. 5991170300001
	Fitting for wall-fit valves Multilayer connection Ø 16 Art. Nr. 5991170300002
Wall-fit valves Art. Nr. 5991990311226	



SFERE

	Art. Nr.	Diameter		Pipe Centres	A	Dry Weight	Surface	Water Content	Thermal output Watt		Exponent n
		D [mm]	I [mm]						$\Delta t = 50^{\circ}\text{C}$	$\Delta t = 30^{\circ}\text{C}$	
STANDARD VERSION	3540806100211	496	50	50	24	0,35	0,3	194	105	1,1950	1,195
VERSION WALL-FIT VALVES	3540806100212	496	50	50	93	0,35	0,3	194	105	1,1950	1,195

Art. Nr. are referred to colour WHITE R01 - version.

standard version is inclusive of valve and holder.

Wall fit version includes only 2 x 1/2" connections.

For output at different Δt than 50°C , please refer to the following formula: desired output = output at $\Delta t 50^{\circ}\text{C}$ x (desired $\Delta t/50$)ⁿ



SFERE TRITTICO

design **Simone Micheli**

**EUROPEAN
WARRANTY**

MATERIAL:

Super slim heating body in painted carbon steel.

FIXING KIT:

Brackets, airvent, hexagonal tool, plugs and screws for mounting suitable for use on compact or hollow brick, user notice.

The kit is certified from TÜV in compliance with VDI 6036-class 4.

VALVE KIT INCLUDES FOR STANDARD VERSION:

(ONLY FOR STANDARD VERSION):

Valves with thermostatic head

Fittings for copper pipe (Ø 12/14/15)

Fittings for multilayer pipe (Ø 16)

Ready - to install pipe connection kit

FOR WALL-FIT VERSION THE VALVES MUST BE PURCHASED SEPARATELY

VERSION FOR WALL-FIT VALVES INCLUDES:

2x1/2" connections

PACKAGING:

The radiator is protected by a film in polyethylene and with a carton box.

User notice included.

PAINTING PROCESS:

Painted with ecological epoxy. (Certificate DIN 55900-1,-2).

Thermal outputs certified in accredited laboratories in compliance with European norm EN442.

COLOURS:

Radiator and accessories: standard white colour R01.

PRODUCT CERTIFICATES



Pression maximale de service: 5 bar

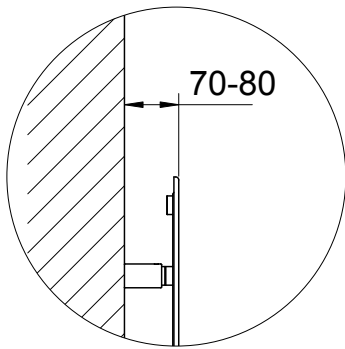
Température maximale de service: 110° C

Available for central heating systems

Connexions: n° 2 x 1/2" gaz - n° 1 x 1/2" gaz

AWARD

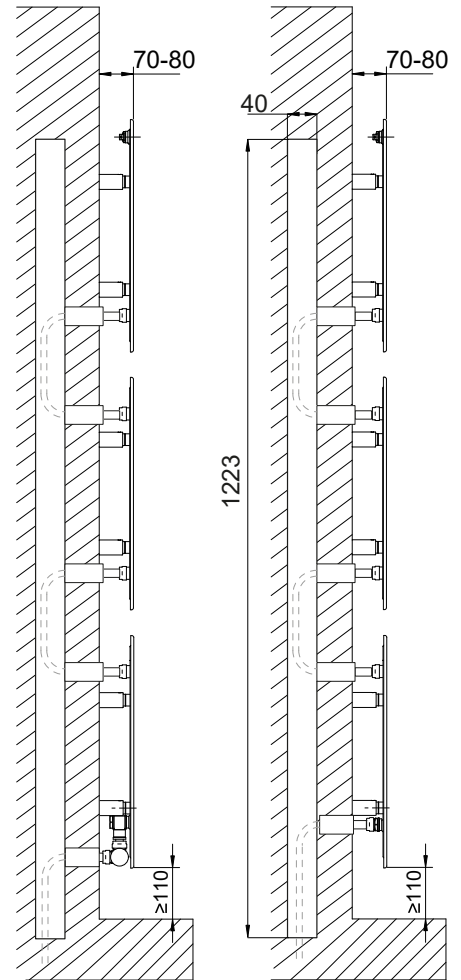
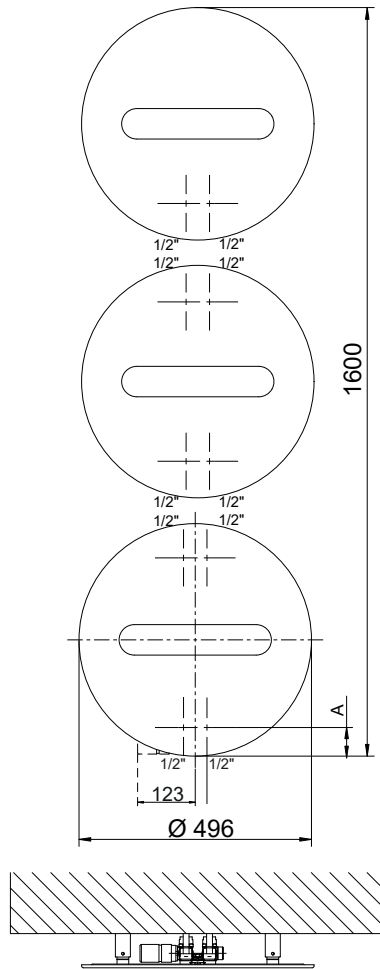




**BUILT-IN CONNECTIONS
FOR SFERE TRITTICO**



TUTORIAL
INSTALLING
THE CONNECTION KIT



**STANDARD
VERSION**

**VERSION FOR
WALL-FIT VALVES**

SFERE TRITTICO

	Art. Nr.	Diameter		A	Dry Weight	Surface	Water Content	Thermal output Watt		Exponent n
		D [mm]	I [mm]					Δt = 50°C	Δt = 30°C	
STANDARD VERSION	3540806100221	496	50	24	24,3	1,2	0,9	582	316	1,195
VERSION WALL-FIT VALVES	3540806100226	496	50	93	24,3	1,2	0,9	582	316	1,195

Art. Nr. are referred to colour WHITE R01 - version.

Standard version, is inclusive of VALVE, HOLDER and THERMOSTATIC HEAD, compliant with UNI EN215:2007 and DM 19/02/2017.

Wall fit version includes only 2 x 1/2" connections.

For output at different Δt than 50°C, please refer to the following formula: desired output = output at Δt 50°C x (desired Δt/50)ⁿ