



MOVIE® ELECTRIC

design **Mariano Moroni**



**EUROPEAN
WARRANTY**

MATERIAL:

Super slim heating body in painted carbon steel.

FIXING KIT:

Brackets, hexagonal tool, plugs and screws for mounting suitable for use on compact or hollow brick, user notice.

The kit is certified from TÜV in compliance with VDI 6036-class 4.

PACKAGING:

The radiator is protected by a film in polyethylene and with a carton box.

User notice included.

PAINTING PROCESS:

Painted with ecological epoxy. (Certificate DIN 55900-1,-2).

COLOURS:

Radiator and accessories: standard white colour R01.

PRODUCT CERTIFICATES



Electrical resistors: CLASS 2

Minimum class protection: IP 44

Seasonal energy efficiency η_s : 39%

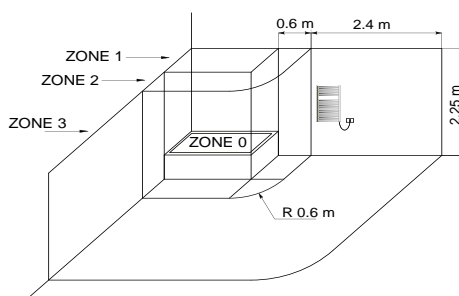
Wire Length: 1200 mm with Schuko plug

Electrical only: Digital Chrono-thermostat

AWARD

**COMFORT & DESIGN
NOMINÉ**

HOW TO PLACE ELECTRIC RADIATORS



The national rules on installing electrical equipment in the bathroom must be scrupulously respected. The electric radiators must be always installed outside zone 1 and 2.

In particular the electric switch and control elements must be mandatorily located in zone 3, in order that no electrical control center is accessible to anyone using the shower or bath.



All Cordivari electric radiators are in line with the new European regulation UE 2015/1188. The new regulation imposes a seasonal energy efficiency of electrical appliances for ambient heating with a nominal thermal output over 250 W and not less than 38%.

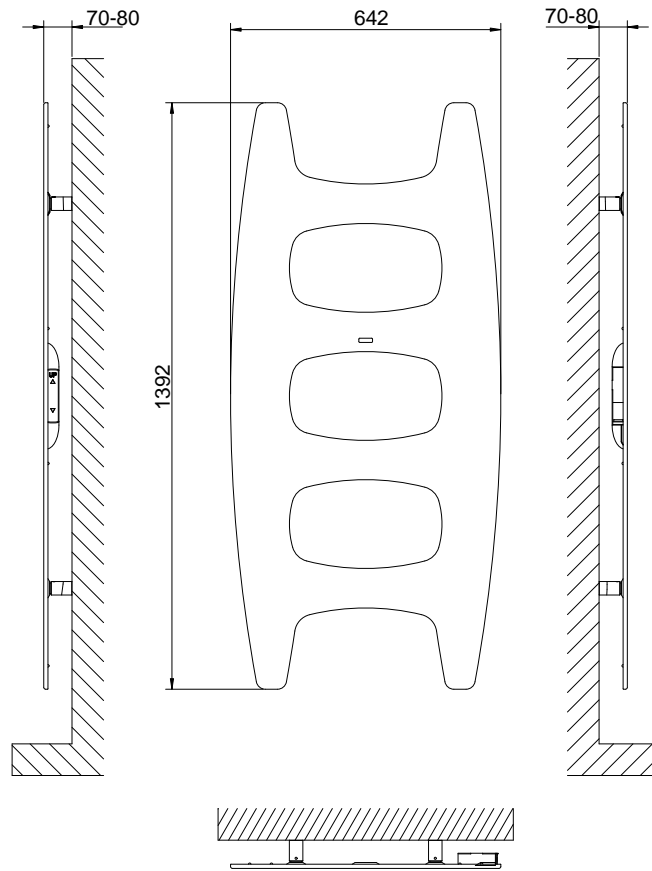
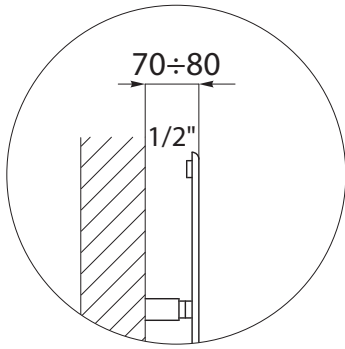
The seasonal energy efficiency of ambient heating (η_s) is expressed with the ratio between the demand of ambient heating supplied by a heating appliance and the annual energy consumption required to meet this demand, expressed as percentage. The Cordivari ErP is in line with the new Ecodesign directives, which are characterized by a great efficiency combined with the maximum attention to energy saving. In particular the radiators are at least equipped with: electronic temperature control; open window sensor; weekly program timer.

Thanks to the new fully programmable digital thermostats and sensors present on the radiators, now the new Cordivari ErP electric radiators, heat, efficiency and energy saving are the best allies of your comfort.



- **DIGITAL THERMOSTAT WITH LCD DISPLAY**
- **DAILY AND WEEKLY PROGRAM SET**

CORDIVARI
DESIGN



MOVIE[®] ELECTRIC

| Art. Nr. | Height | Width | Thermal output | Weight |
|---|-------------|--------|----------------|--------|
| | H [mm] | L [mm] | Watt | Kg |
| CLASS 2 - DIGITAL CHRONO-THERMOSTAT, SCHUKO PLUG, V 230 | | | | |
| 3582806100101 | 1392 | 642 | 640 | 18 |

Art. Nr. are referred to colour WHITE R01 version.

INOX STYLE

EXTRASLIM[®]

NEO DESIGN

CLASSIC LINE

GRAPHIC PICTURE

VALVES AND ACCESSORIES
TECHNICAL SUPPORT