



FRAME PICTURE

CONVIVIUM

artwork **Mariano Moroni**



**EUROPEAN
WARRANTY**

MATERIAL:

Horizontal collector in painted carbon steel with \varnothing of 30 mm.
Heating elements in painted carbon steel.
Heating plate in painted carbon steel.

FIXING KIT:

Brackets, airvent, hexagonal tool, plugs and screws for mounting suitable for use on compact or hollow brick, user notice.
The kit is certified from TÜV laboratories in compliance with European norm VDI 6036-class 4 (only for Frame).

PACKAGING:

The radiator is protected by a wooden crate and carton.
User notice included.

PAINTING PROCESS:

Painted with ecological epoxy. (Certificate DIN 55900-1,-2).
Thermal outputs certified in accredited laboratories in compliance with European norm EN442.

PRODUCT CERTIFICATES



P. max: 5 bar

T. max: 110° C

Available for central heating systems

Connections: n° 2 x 1/2" gas - n° 1 x 1/8" gas

HOW TO ORDER THE FRAME CONVIVIUM RADIATORS

ARTICLE CODE STRUCTURE

Radiator model Standard FRST Plus FRPL	Radiator dimensions	Article code of the connection	Model code Frame Convivium: P29	Constant value
AAAA	BBB CC	DDD	EEE	B

Example

Radiator model Example: Frame radiator Standard	Radiator dimensions Example: mm 480x1832	Article code of the connection Example: V09 connection V09	Model code Example: Frame Convivium P29	Constant value
FRST	480 18	V09	P29	B

EXAMPLE OF ARTICLE CODE CREATION

In case of a FRAME
CONVIVIUM standard
480x1832 mm radiator with
V09 connection.

The article code will be:

FRST 480 18 V09 P29 B

ACCESSORIES



**Elegant square manual
valve kit painted pure
white R01**

Copper connection \varnothing 12/14/15
Art. Nr. 5991990310553

Multilayer connection \varnothing 16
Art. Nr. 5991990310552



**Elegant square pipe centres
50 mm valve kit painted
pure white R01 with ther-
mostatic head - right**

Copper connection \varnothing 12/14/15
Art. Nr. 5991990310543

Multilayer connection \varnothing 16
Art. Nr. 5991990310542



**STRAIGHT HANGER
POLISHED**

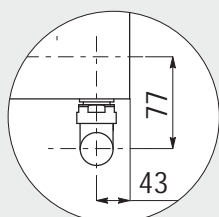
L. 368 (L= 404 mm)
Art. Nr. 5991990300187

L. 480 (L= 516 mm)
Art. Nr. 5991990300183

L. 592 (L= 628 mm)
Art. Nr. 5991990300184

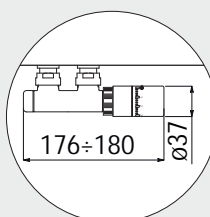
L. 704 (L= 740 mm)
Art. Nr. 5991990300188

V9÷V10



Measures for Elegant square manual valve

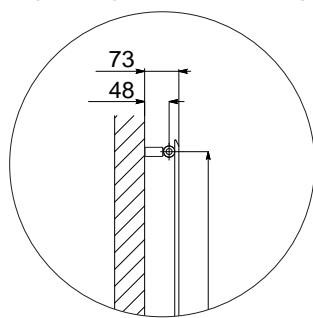
V11



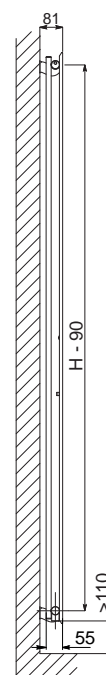
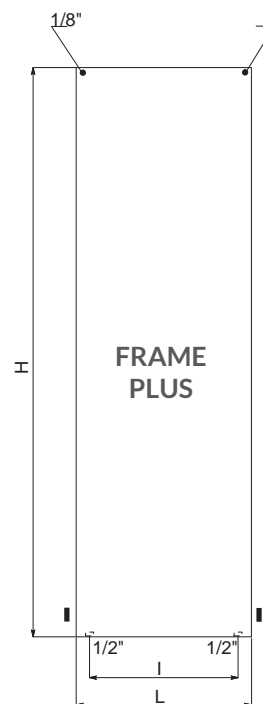
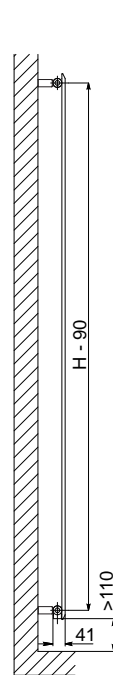
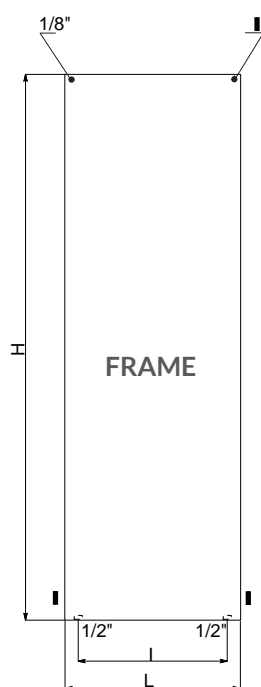
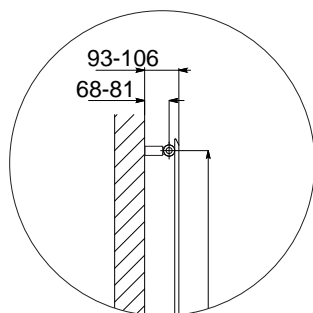
Measures for valves type Cordivari Elegant Square with thermostatic head and pipe centres 50 mm

FRAME

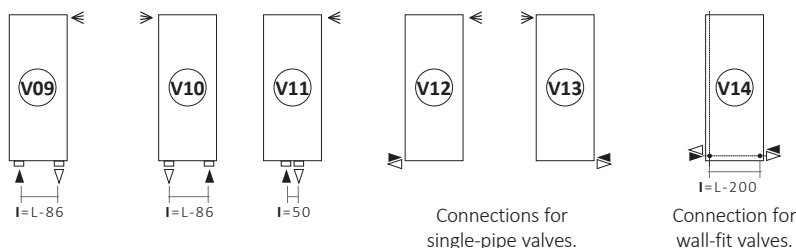
V09 - V10 - V11 - V12 - V13



V14



Standard Connections



Connections for
single-pipe valves.

Connection for
wall-fit valves.

Always specify the kind of connection needed when ordering (V09 - V10 - V11 - V12 - V13 - V14).

Legend =

▶ In

▷ Out

◀ Airvent

▬ Pipe Centres

L Width

□ Connection



CONVIVIAM
(P29)



CONVIVIAM
TRITTICO
(P29)

The radiator
CONVIVIAM TRITTICO
is composed of three
pieces.

FRAME PICTURE CONVIVIAM

DDD: replace with the type of connection.

Art. Nr.	Height		Width		Pipe Centres (V09 - V10)	Pipe Centres (V14)	Dry Weight [Kg]	Surface [m ²]	Water Content [lt]	Thermal output Watt		Exponent n
	H [mm]	L [mm]	I [mm]	I [mm]	Δt = 50°C	Δt = 30°C						
FRST 480 18 DDD P29 B	1832	480	394	168	16,6	1,74	5,8	880	457	1,2840		
FRST 592 18 DDD P29 B		592	506	280	20,9	2,15	7,2	1100	571	1,2840		
FRST 480 20 DDD P29 B	2032	480	394	392	18,4	1,93	6,4	978	508	1,2826		
FRST 592 20 DDD P29 B		592	506	504	23	2,38	8	1222	635	1,2826		

FRAME PICTURE PLUS CONVIVIAM

DDD: replace with the type of connection.

Art. Nr.	Height		Width		Pipe Centres (V09 - V10)	Pipe Centres (V14)	Dry Weight [Kg]	Surface [m ²]	Water Content [lt]	Thermal output Watt		Exponent n
	H [mm]	L [mm]	I [mm]	I [mm]	Δt = 50°C	Δt = 30°C						
FRPL 480 18 DDD P29 B	1832	480	394	168	35,7	3,24	11,2	1455	745	1,3105		
FRPL 592 18 DDD P29 B		592	506	280	45,1	4,10	13,7	1819	931	1,3105		
FRPL 480 20 DDD P29 B	2032	480	394	392	39,5	3,59	12,3	1568	803	1,3093		
FRPL 592 20 DDD P29 B		592	506	504	49,9	4,54	15,0	1960	1004	1,3093		

Always specify while ordering the desired Artwork type.

For output at different Δt than 50°C, please refer to the following formula: desired output = output at Δt 50°C x (desired Δt/50)ⁿ