



FRAME VERTICAL



EUROPEAN
WARRANTY

MATERIAL:

Horizontal collector in painted carbon steel with \varnothing of 30 mm
Heating elements in painted carbon steel
Heating plate in painted carbon steel

FIXING KIT:

Brackets, airvent, hexagonal tool, plugs and screws for mounting suitable for use on compact or hollow brick, user notice.
The kit is certified from TÜV in compliance with VDI 6036-class 4.

PACKAGING:

The radiator is protected by a film in polyethylene and with a carton box.
User notice included.

PAINTING PROCESS:

Painted with ecological epoxy. (Certificate DIN 55900-1,-2).
Thermal outputs certified in accredited laboratories in compliance with European norm EN442.

COLOURS:

Radiator and accessories: standard white colour R01.

PRODUCT CERTIFICATES



P. max: 5 bar

T. max: 110° C

Available for central heating systems

Connections: n° 2 x 1/2" gas - n° 1 x 1/8" gas

HOW TO ORDER THE VERTICAL FRAME RADIATORS

ARTICLE CODE STRUCTURE

Radiator model	Radiator dimensions	Article code of the connection	Article code of the color / finish Different color from standard (R01 - R02) surcharge +30%	Constant value
AAAA	BBB CC	DDD	EEE	B

Example

Radiator model Example: Frame radiator	Radiator dimensions Example: mm 480x1832	Article code of the connection Example: connection V09	Article code of the finish Example: White color R01	Constant value
FRST	480 18	V09	R01	B

EXAMPLE OF ARTICLE CODE CREATION

In case of a FRAME VT 480x1832 mm radiator with V09 connection.

The article code will be:

FRST 480 18 V09 R01 B

ACCESSORIES



Elegant square manual valve kit painted pure white R01

Copper connection \varnothing 12/14/15
Art. Nr. 5991990310553

Multilayer connection \varnothing 16
Art. Nr. 5991990310552



Tinta valve pipe centres 50 mm with thermostatic head - right

Copper connection \varnothing 12/14/15
Art. Nr. 5991990311217

Multilayer connection \varnothing 16
Art. Nr. 5991990311216



Kit 3 Towel bar verniciati FOR MODELS

L. 368 (L= 404 mm)
Art. Nr. 5991990310569

L. 480 (L= 516 mm)
Art. Nr. 5991990310570

L. 592 (L= 628 mm)
Art. Nr. 5991990310571

L. 704 (L= 740 mm)
Art. Nr. 5991990310572

LYNEA ACCESSORIES

by Marco Pisati



TOWEL BAR LEFT
L. 274 mm

H30 Green Apple

Art. Nr. 5991990332190



Hook
L. 180 mm x H. 270 mm

H30 Green Apple

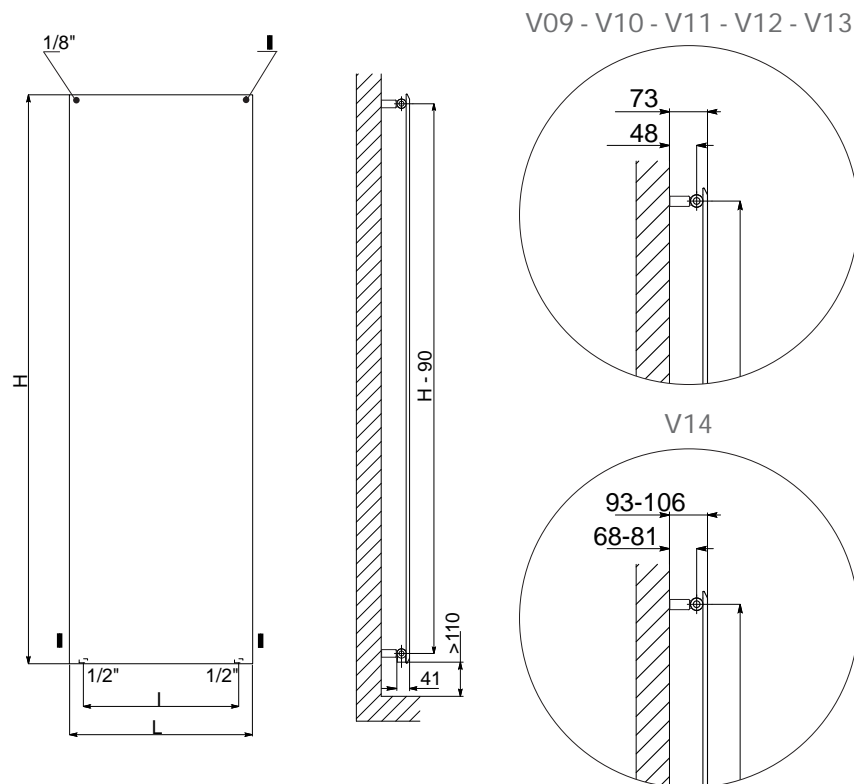
Art. Nr. 5991990310604



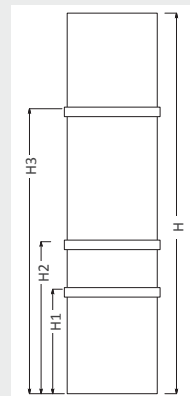
Wood shelf
L. 286 mm

Oak Moka Textured

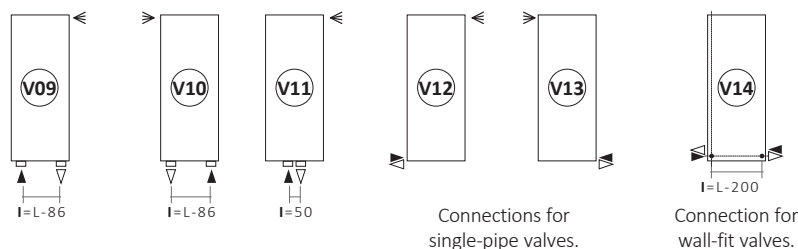
Art. Nr. 5991990500014

POSITIONING OF
TOWEL BAR
(ACCESSORIES)

H	H1	H2	H3
[mm]			
1032	300	500	800
1232	400	600	1000
1432	400	700	1200
1632	500	800	1300
1832	500	800	1400
2032	500	800	1500



Standard Connections

Connections for
single-pipe valves.Connection for
wall-fit valves.

Always specify the kind of connection needed when ordering (V09 - V10 - V11 - V12 - V13 - V14).

Legend =



In



Out



Airvent



Pipe Centres



L Width



Connection

FRAME VERTICAL

DDD: replace with the type of connection.

Art. Nr.	Height	Width	Pipe Centres (V09 - V10)	Pipe Centres (V14)	Dry Weight [Kg]	Surface [m ²]	Water Content [lt]	Thermal output Watt		Exponent n
	H [mm]	L [mm]	I [mm]	I [mm]				Δt = 50°C	Δt = 30°C	
FRST 368 10 DDD R01 B	1032	368	282	168	7,2	0,75	2,64	381	197	1,2894
FRST 480 10 DDD R01 B		480	394	280	9,7	0,98	3,5	499	258	1,2894
FRST 592 10 DDD R01 B		592	506	392	12	1,21	4,4	617	319	1,2894
FRST 704 10 DDD R01 B		704	618	504	14,6	1,44	5,2	735	380	1,2894
FRST 368 12 DDD R01 B	1232	368	282	168	8,6	0,89	3,02	455	236	1,2881
FRST 480 12 DDD R01 B		480	394	280	11,4	1,17	4	596	309	1,2881
FRST 592 12 DDD R01 B		592	506	392	14	1,44	5,1	736	381	1,2881
FRST 704 12 DDD R01 B		704	618	504	17,2	1,72	6,1	877	454	1,2881
FRST 368 14 DDD R01 B	1432	368	282	168	9,9	1,04	3,5	529	274	1,2867
FRST 480 14 DDD R01 B		480	394	280	13,2	1,36	4,6	692	359	1,2867
FRST 592 14 DDD R01 B		592	506	392	16,5	1,68	5,9	856	444	1,2867
FRST 704 14 DDD R01 B		704	618	504	19,8	2,00	7,00	1020	529	1,2867
FRST 368 16 DDD R01 B	1632	368	282	168	11,2	1,16	3,8	595	309	1,2854
FRST 480 16 DDD R01 B		480	394	280	14,9	1,55	5,2	789	409	1,2854
FRST 592 16 DDD R01 B		592	506	392	18,6	1,94	6,8	976	506	1,2854
FRST 368 18 DDD R01 B	1832	368	282	168	12,5	1,33	4,37	676	351	1,2840
FRST 480 18 DDD R01 B		480	394	280	16,6	1,74	5,8	880	457	1,2840
FRST 592 18 DDD R01 B		592	506	392	20,9	2,15	7,2	1100	571	1,2840
FRST 704 18 DDD R01 B	2032	704	618	504	25	2,56	8,7	1304	677	1,2840
FRST 368 20 DDD R01 B		368	282	168	13,5	1,47	4,85	750	390	1,2826
FRST 480 20 DDD R01 B		480	394	280	18,4	1,93	6,4	978	508	1,2826
FRST 592 20 DDD R01 B		592	506	392	23	2,38	8	1222	635	1,2826
FRST 704 20 DDD R01 B		704	618	504	27,6	2,84	9,6	1447	751	1,2826

Art. Nr. are referred to colour WHITE R01 version.

For output at different Δt than 50°C, please refer to the following formula: desired output = output at Δt 50°C x (desired Δt/50)ⁿ



FRAME PLUS^{VERTICAL}



EUROPEAN
WARRANTY

MATERIAL:

Horizontal collector in painted carbon steel with \varnothing of 30 mm
Heating elements in painted carbon steel
Heating plate in painted carbon steel

FIXING KIT:

Brackets, airvent, hexagonal tool, plugs and screws for mounting suitable for use on compact or hollow brick, user notice.

PACKAGING:

The radiator is protected by a film in polyethylene and with a carton box.
User notice included.

PAINTING PROCESS:

Painted with ecological epoxy. (Certificate DIN 55900-1,-2).
Thermal outputs certified in accredited laboratories in compliance with European norm EN442.

COLOURS:

Radiator and accessories: standard white colour R01.

PRODUCT CERTIFICATES



P. max: 5 bar

T. max: 110° C

Available for central heating systems

Connections: n° 2 x 1/2" gas - n° 1 x 1/8" gas

HOW TO ORDER THE VERTICAL FRAME PLUS RADIATORS

ARTICLE CODE STRUCTURE

Radiator model	Radiator dimensions	Article code of the connection	Article code of the color / finish Different color from standard (R01 - R02) surcharge +30%	Constant value
AAAA	BBB CC	DDD	EEE	B

Example

Radiator model Example: Frame radiator Plus	Radiator dimensions Example: mm 480x1832	Article code of the connection Example: connection V09	Article code of the finish Example: White color R01	Constant value
FRPL	480 18	V09	R01	B

EXAMPLE OF ARTICLE CODE CREATION

In case of a FRAME PLUS VT 480x1832 mm radiator with V09 connection.

The article code will be:

FRPL 48018 V09 R01 B

ACCESSORIES



Elegant square manual valve kit painted pure white R01

Copper connection \varnothing 12/14/15
Art. Nr. 5991990310553

Multilayer connection \varnothing 16
Art. Nr. 5991990310552



Tinta valve pipe centres 50 mm with thermostatic head - right

Copper connection \varnothing 12/14/15
Art. Nr. 5991990311217

Multilayer connection \varnothing 16
Art. Nr. 5991990311216



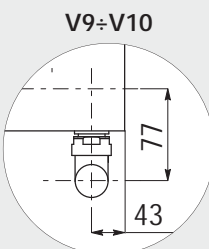
Towel bar verniciato FOR MODELS

L. 368 (L= 404 mm)
Art. Nr. 5991990310565

L. 480 (L= 516 mm)
Art. Nr. 5991990310566

L. 592 (L= 628 mm)
Art. Nr. 5991990310567

L. 704 (L= 740 mm)
Art. Nr. 5991990310568



V9÷V10

Measures for Elegant square manual valve



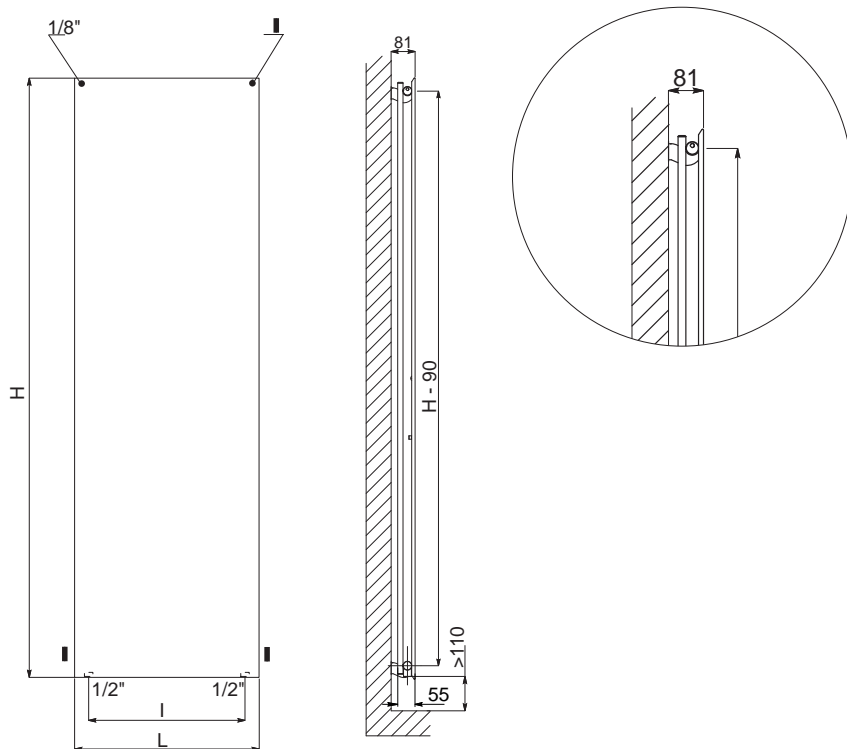
Kit 3 Towel bar verniciati FOR MODELS

L. 368 (L= 404 mm)
Art. Nr. 5991990310569

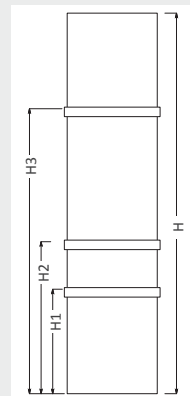
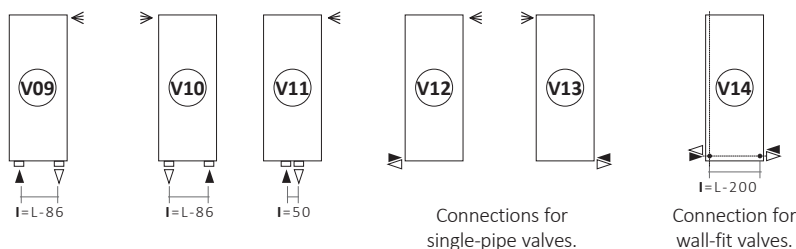
L. 480 (L= 516 mm)
Art. Nr. 5991990310570

L. 592 (L= 628 mm)
Art. Nr. 5991990310571

L. 704 (L= 740 mm)
Art. Nr. 5991990310572

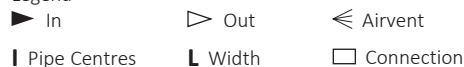

**POSITIONING OF
TOWEL BAR
(ACCESSORIES)**

H	H1	H2	H3
[mm]			
1032	300	500	800
1232	400	600	1000
1432	400	700	1200
1632	500	800	1300
1832	500	800	1400
2032	500	800	1500


Standard Connections


Always specify the kind of connection needed when ordering (V09 - V10 - V11 - V12 - V13 - V14).

Legend =


FRAME PLUS VERTICAL

DDD: replace with the type of connection.

Art. Nr.	Height	Width	Pipe Centres (V09 - V10)	Pipe Centres (V14)	Dry Weight [Kg]	Surface [m ²]	Water Content [lt]	Thermal output Watt		Exponent n
	H [mm]	L [mm]	I [mm]	I [mm]				Δt = 50°C	Δt = 30°C	
FRPL 368 10 DDD R01 B	1032	368	282	168	14,3	1,35	4,5	580	296	1,3152
FRPL 480 10 DDD R01 B		480	394	280	20,2	1,84	6,3	790	404	1,3152
FRPL 592 10 DDD R01 B		592	506	392	25,0	2,32	7,8	999	510	1,3152
FRPL 704 10 DDD R01 B		704	618	504	28,6	2,81	9,0	1209	618	1,3152
FRPL 368 12 DDD R01 B	1232	368	282	168	17,1	1,61	5,3	691	353	1,31355
FRPL 480 12 DDD R01 B		480	394	280	24,1	2,19	7,5	940	481	1,31355
FRPL 592 12 DDD R01 B		592	506	392	29,8	2,77	9,3	1190	608	1,31355
FRPL 704 12 DDD R01 B		704	618	504	34,2	3,35	10,7	1439	736	1,31355
FRPL 368 14 DDD R01 B	1432	368	282	168	19,9	1,86	6,2	801	415	1,2867
FRPL 480 14 DDD R01 B		480	394	280	28,0	2,54	8,8	1091	565	1,2867
FRPL 592 14 DDD R01 B		592	506	392	34,7	3,21	10,8	1381	716	1,2867
FRPL 704 14 DDD R01 B		704	618	504	39,7	3,88	12,4	1670	865	1,2867
FRPL 368 16 DDD R01 B	1632	368	282	168	23,9	2,17	7,5	930	476	1,3117
FRPL 480 16 DDD R01 B		480	394	280	31,9	2,89	10,0	1241	635	1,3117
FRPL 592 16 DDD R01 B		592	506	392	39,8	3,61	12,5	1551	794	1,3117
FRPL 368 18 DDD R01 B		1832	368	282	168	25,4	2,38	7,9	1022	523
FRPL 480 18 DDD R01 B	480		394	280	35,7	3,24	11,2	1455	745	1,3105
FRPL 592 18 DDD R01 B	592		506	392	45,1	4,10	13,7	1819	931	1,3105
FRPL 704 18 DDD R01 B	704		618	504	50,8	4,96	15,9	2132	1092	1,3105
FRPL 368 20 DDD R01 B	2032	368	282	168	28,2	2,63	8,8	1133	580	1,3093
FRPL 480 20 DDD R01 B		480	394	280	39,5	3,59	12,3	1568	803	1,3093
FRPL 592 20 DDD R01 B		592	506	392	49,9	4,54	15,0	1960	1004	1,3093
FRPL 704 20 DDD R01 B		704	618	504	56,4	5,49	17,6	2363	1211	1,3093

Art. Nr. are referred to colour WHITE R01 version.

For output at different Δt than 50°C, please refer to the following formula: desired output = output at Δt 50°C x (desired Δt/50)ⁿ