



FRAME INOX VERTICAL



EUROPEAN
WARRANTY

MATERIAL:

Horizontal collector in painted carbon steel with \varnothing of 30 mm.
Heating elements in painted carbon steel.
Heating plate in polished stainless steel.

FIXING KIT:

Brackets, airvent, hexagonal tool, plugs and screws for mounting suitable for use on compact or hollow brick, user notice.
The kit is certified from TÜV in compliance with VDI 6036-class 4.

PACKAGING:

The radiator is protected by a film in polyethylene and with a carton box.
User notice included.

FEATURES:

Heating plate is totally made in stainless steel with an unalterable finishing.
Brightness guaranteed during the years.

PRODUCT CERTIFICATES



P. max: 5 bar

T. max: 110° C

Available for central heating systems

Connections: n° 2 x 1/2" gas - n° 1 x 1/8" gas

HOW TO ORDER THE VERTICAL FRAME INOX RADIATORS

ARTICLE CODE STRUCTURE

Radiator model	Radiator dimensions	Article code of the connection	Article code of the color / finish	Constant value
AAAA	BBB CC	DDD	EEE	B

Example

Radiator model Example: Frame radiator	Radiator dimensions Example: mm 480x1832	Article code of the connection Example: V09 connection	Article code of the finish Example: Polished stainless steel	Constant value
FRST	480 18	V09	X01	B

EXAMPLE OF ARTICLE CODE CREATION

In case of a FRAME INOX VT 480x1832 mm radiator with V09 connection.

The article code will be:

FRST 480 18 V09 X01 B

ACCESSORIES



Elegant square manual polished valve kit

Copper connection \varnothing 12/14/15
Art. Nr. 5991990301084

Multilayer connection \varnothing 16
Art. Nr. 5991990301083



Elegant square polished valve kit pipe centres 50 mm with thermostatic head - right

Copper connection \varnothing 12/14/15
Art. Nr. 5991990301076

Multilayer connection \varnothing 16
Art. Nr. 5991990301075



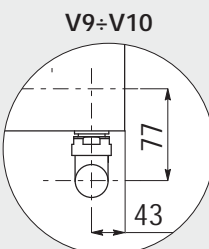
Straight hanger polished FOR MODELS

L. 368 (L= 404 mm)
Art. Nr. 5991990300187

L. 480 (L= 516 mm)
Art. Nr. 5991990300183

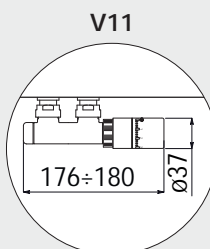
L. 592 (L= 628 mm)
Art. Nr. 5991990300184

L. 704 (L= 740 mm)
Art. Nr. 5991990300188



V9÷V10

Measures for Elegant square manual valve



V11

Measures for valves type Cordivari Elegant Square with thermostatic head and pipe centres 50 mm



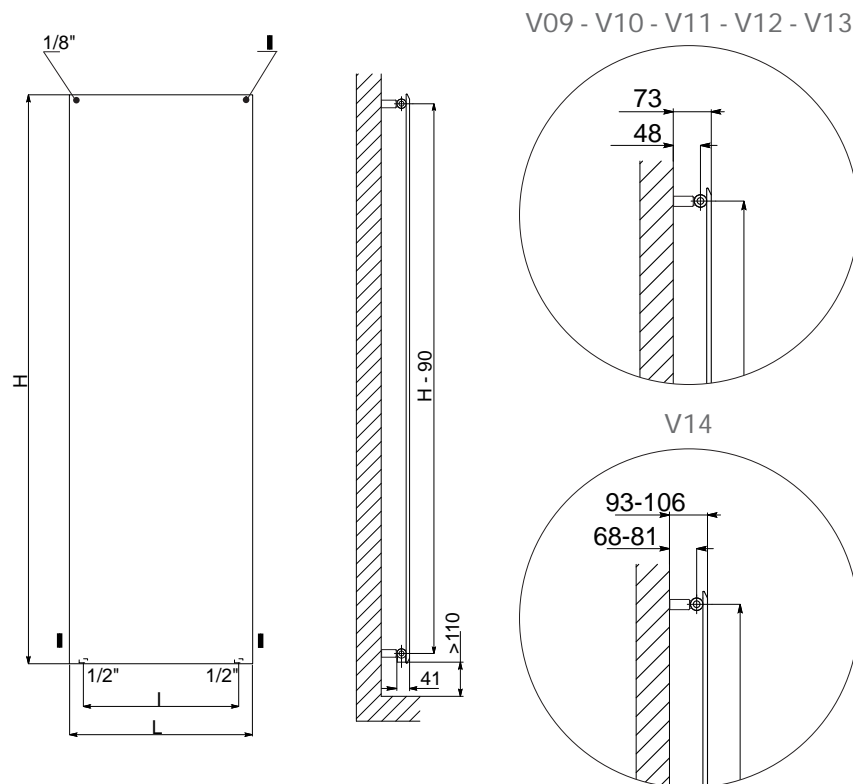
Kit 3 Straight hanger polished FOR MODELS

L. 368 (L= 404 mm)
Art. Nr. 5991990300189

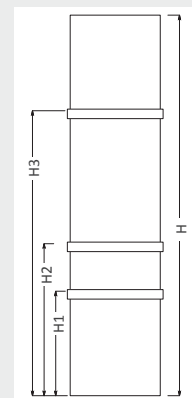
L. 480 (L= 516 mm)
Art. Nr. 5991990300185

L. 592 (L= 628 mm)
Art. Nr. 5991990300186

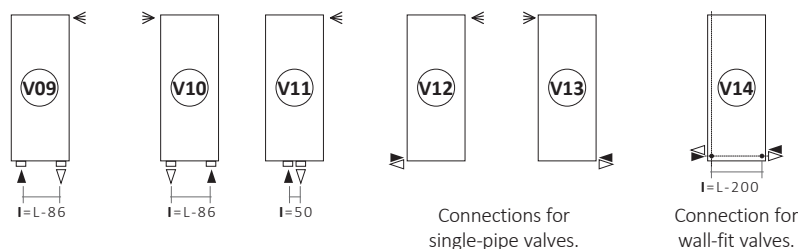
L. 704 (L= 740 mm)
Art. Nr. 5991990300190

POSITIONING OF
TOWEL BAR
(ACCESSORIES)

H	H1	H2	H3
[mm]			
1032	300	500	800
1232	400	600	1000
1432	400	700	1200
1632	500	800	1300
1832	500	800	1400
2032	500	800	1500



Standard Connections



Always specify the kind of connection needed when ordering (V09 - V10 - V11 - V12 - V13 - V14).

Legend =

▶ In ▷ Out ≪ Airvent
 | Pipe Centres L Width □ Connection

FRAME INOX VERTICAL - POLISHED STAINLESS STEEL

DDD: replace with the type of connection.

Art. Nr.	Height	Width	Pipe Centres (V09 - V10)	Pipe Centres (V14)	Dry Weight	Surface	Water Content	Thermal output Watt		Exponent n
	H [mm]	L [mm]	I [mm]	I [mm]				Δt = 50°C	Δt = 30°C	
FRST 368 10 DDD X01 B	1032	368	282	168	7,2	0,75	2,64	381	197	1,2894
FRST 480 10 DDD X01 B		480	394	280	9,7	0,98	3,5	499	258	1,2894
FRST 592 10 DDD X01 B		592	506	392	12	1,21	4,4	617	319	1,2894
FRST 704 10 DDD X01 B		704	618	504	14,6	1,44	5,2	735	380	1,2894
FRST 368 12 DDD X01 B	1232	368	282	168	8,6	0,89	3,02	455	236	1,2881
FRST 480 12 DDD X01 B		480	394	280	11,4	1,17	4	596	309	1,2881
FRST 592 12 DDD X01 B		592	506	392	14	1,44	5,1	736	381	1,2881
FRST 704 12 DDD X01 B		704	618	504	17,2	1,72	6,1	877	454	1,2881
FRST 368 14 DDD X01 B	1432	368	282	168	9,9	1,04	3,5	529	274	1,2867
FRST 480 14 DDD X01 B		480	394	280	13,2	1,36	4,6	692	359	1,2867
FRST 592 14 DDD X01 B		592	506	392	16,5	1,68	5,9	856	444	1,2867
FRST 704 14 DDD X01 B		704	618	504	19,8	2,00	7,00	1020	529	1,2867
FRST 368 16 DDD X01 B	1632	368	282	168	11,2	1,16	3,8	595	309	1,2854
FRST 480 16 DDD X01 B		480	394	280	14,9	1,55	5,2	789	409	1,2854
FRST 592 16 DDD X01 B		592	506	392	18,6	1,94	6,8	976	506	1,2854
FRST 368 18 DDD X01 B	1832	368	282	168	12,5	1,33	4,37	676	351	1,2840
FRST 480 18 DDD X01 B		480	394	280	16,6	1,74	5,8	880	457	1,2840
FRST 592 18 DDD X01 B		592	506	392	20,9	2,15	7,2	1100	571	1,2840
FRST 704 18 DDD X01 B		704	618	504	25	2,56	8,7	1304	677	1,2840
FRST 368 20 DDD X01 B	2032	368	282	168	13,5	1,47	4,85	750	390	1,2826
FRST 480 20 DDD X01 B		480	394	280	18,4	1,93	6,4	978	508	1,2826
FRST 592 20 DDD X01 B		592	506	392	23	2,38	8	1222	635	1,2826
FRST 704 20 DDD X01 B		704	618	504	27,6	2,84	9,6	1447	751	1,2826

For output at different Δt than 50°C, please refer to the following formula: desired output = output at Δt 50°C x (desired Δt/50)ⁿ



FRAME INOX PLUS VERTICAL



EUROPEAN
WARRANTY

MATERIAL:

Horizontal collector in painted carbon steel with \varnothing of 30 mm
Heating elements in painted carbon steel
Heating plate in polished stainless steel

FIXING KIT:

Brackets, airvent, hexagonal tool, plugs and screws for mounting suitable for use on compact or hollow brick, user notice.

PACKAGING:

The radiator is protected by a film in polyethylene and with a carton box.
User notice included.

FEATURES:

Heating plate is totally made in stainless steel with an unalterable finishing.
Brightness guaranteed during the years.

PRODUCT CERTIFICATES



P. max: 5 bar

T. max: 110° C

Available for central heating systems

Connections: n° 2 x 1/2" gas - n° 1 x 1/8" gas

HOW TO ORDER THE VERTICAL FRAME INOX PLUS RADIATORS

ARTICLE CODE STRUCTURE

Radiator model	Radiator dimensions	Article code of the connection	Article code of the color / finish	Constant value
AAAA	BBB CC	DDD	EEE	B

Example

Radiator model	Radiator dimensions	Article code of the connection	Article code of the finish	Constant value
Example: Frame radiator Plus	Example: mm 480x1832	Example: connection V09	Example: Polished stainless steel	
FRPL	480 18	V09	X01	B

EXAMPLE OF ARTICLE CODE CREATION

In case of a FRAME INOX PLUS VT 480x1832 mm radiator with V09 connection.

The article code will be:

FRPL 48018 V09 X01 B

ACCESSORIES



Elegant square manual polished valve kit

Copper connection \varnothing 12/14/15
Art. Nr. 5991990301084

Multilayer connection \varnothing 16
Art. Nr. 5991990301083



Elegant square polished valve kit pipe centres 50 mm with thermostatic head - right

Copper connection \varnothing 12/14/15
Art. Nr. 5991990301076

Multilayer connection \varnothing 16
Art. Nr. 5991990301075



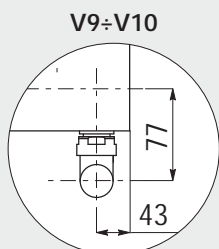
Straight hanger polished FOR MODELS

L. 368 (L= 404 mm)
Art. Nr. 5991990300187

L. 480 (L= 516 mm)
Art. Nr. 5991990300183

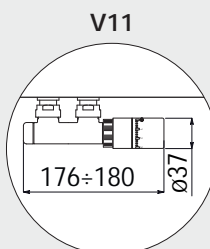
L. 592 (L= 628 mm)
Art. Nr. 5991990300184

L. 704 (L= 740 mm)
Art. Nr. 5991990300188



V9÷V10

Measures for Elegant square manual valve



V11

Measures for valves type Cordivari Elegant Square with thermostatic head and pipe centres 50 mm



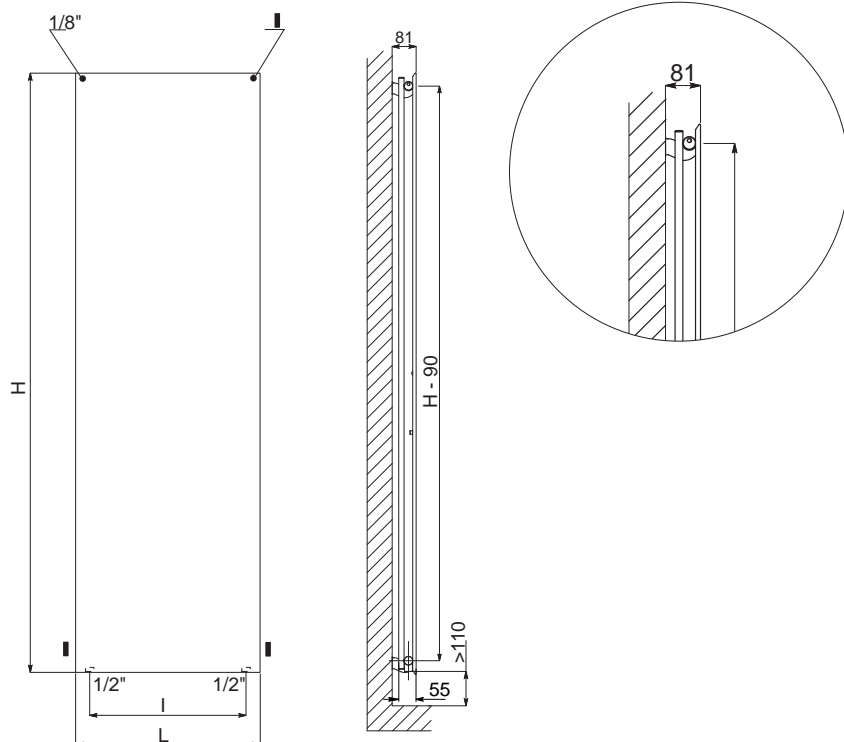
Kit 3 Straight hanger polished FOR MODELS

L. 368 (L= 404 mm)
Art. Nr. 5991990300189

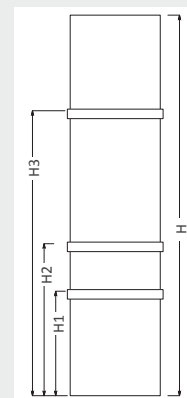
L. 480 (L= 516 mm)
Art. Nr. 5991990300185

L. 592 (L= 628 mm)
Art. Nr. 5991990300186

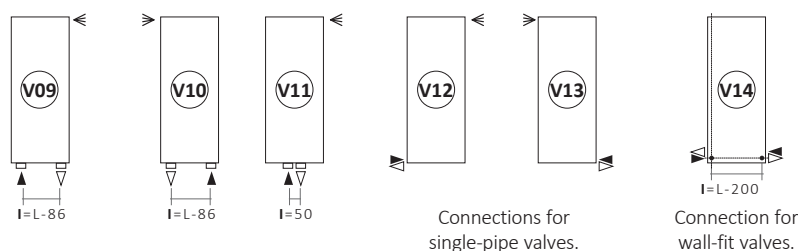
L. 704 (L= 740 mm)
Art. Nr. 5991990300190

POSITIONING OF
TOWEL BAR
(ACCESSORIES)

H	H1	H2	H3
[mm]			
1032	300	500	800
1232	400	600	1000
1432	400	700	1200
1632	500	800	1300
1832	500	800	1400
2032	500	800	1500

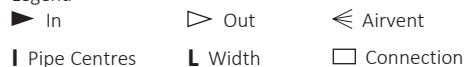


Standard Connections



Always specify the kind of connection needed when ordering (V09 - V10 - V11 - V12 - V13 - V14).

Legend =



FRAME INOX PLUS VERTICAL - POLISHED STAINLESS STEEL

DDD: replace with the type of connection.

Art. Nr.	Height	Width	Pipe Centres (V09 - V10)	Pipe Centres (V14)	Dry Weight	Surface	Water Content	Thermal output Watt		Exponent n
	H [mm]	L [mm]	I [mm]	I [mm]				Δt = 50°C	Δt = 30°C	
FRPL 368 10 DDD X01 B	1032	368	282	168	14,3	1,35	4,5	580	296	1,3152
FRPL 480 10 DDD X01 B		480	394	280	20,2	1,84	6,3	790	404	1,3152
FRPL 592 10 DDD X01 B		592	506	392	25,0	2,32	7,8	999	510	1,3152
FRPL 704 10 DDD X01 B		704	618	504	28,6	2,81	9,0	1209	618	1,3152
FRPL 368 12 DDD X01 B	1232	368	282	168	17,1	1,61	5,3	691	353	1,31355
FRPL 480 12 DDD X01 B		480	394	280	24,1	2,19	7,5	940	481	1,31355
FRPL 592 12 DDD X01 B		592	506	392	29,8	2,77	9,3	1190	608	1,31355
FRPL 704 12 DDD X01 B		704	618	504	34,2	3,35	10,7	1439	736	1,31355
FRPL 368 14 DDD X01 B	1432	368	282	168	19,9	1,86	6,2	801	415	1,2867
FRPL 480 14 DDD X01 B		480	394	280	28,0	2,54	8,8	1091	565	1,2867
FRPL 592 14 DDD X01 B		592	506	392	34,7	3,21	10,8	1381	716	1,2867
FRPL 704 14 DDD X01 B		704	618	504	39,7	3,88	12,4	1670	865	1,2867
FRPL 368 16 DDD X01 B	1632	368	282	168	23,9	2,17	7,5	930	476	1,3117
FRPL 480 16 DDD X01 B		480	394	280	31,9	2,89	10,0	1241	635	1,3117
FRPL 592 16 DDD X01 B		592	506	392	39,8	3,61	12,5	1551	794	1,3117
FRPL 368 18 DDD X01 B	1832	368	282	168	25,4	2,38	7,9	1022	523	1,3105
FRPL 480 18 DDD X01 B		480	394	280	35,7	3,24	11,2	1455	745	1,3105
FRPL 592 18 DDD X01 B		592	506	392	45,1	4,10	13,7	1819	931	1,3105
FRPL 704 18 DDD X01 B		704	618	504	50,8	4,96	15,9	2132	1092	1,3105
FRPL 368 20 DDD X01 B	2032	368	282	168	28,2	2,63	8,8	1133	580	1,3093
FRPL 480 20 DDD X01 B		480	394	280	39,5	3,59	12,3	1568	803	1,3093
FRPL 592 20 DDD X01 B		592	506	392	49,9	4,54	15,0	1960	1004	1,3093
FRPL 704 20 DDD X01 B		704	618	504	56,4	5,49	17,6	2363	1211	1,3093

For output at different Δt than 50°C, please refer to the following formula: desired output = output at Δt 50°C x (desired Δt/50)ⁿ