



BADGE®

design **Simone Micheli**



**EUROPEAN
WARRANTY**

MATERIAL:

Super slim heating body in painted carbon steel.

FIXING KIT:

Brackets, airvent, hexagonal tool, plugs and screws for mounting suitable for use on compact or hollow brick, user notice.

The kit is certified from TÜV in compliance with VDI 6036-class 4.

Fixing template scheme (only available for Badge® 1212x512)

VALVE KIT INCLUDES:

Valves

Fittings for copper pipe (Ø 12/14/15)

Fittings for multilayer pipe (Ø 16)

PACKAGING:

The radiator is protected by a film in polyethylene and with a carton box. User notice included.

PAINTING PROCESS:

Painted with ecological epoxy. (Certificate DIN 55900-1,-2).

Thermal outputs certified in accredited laboratories in compliance with European norm EN442.

COLOURS:

Radiator and accessories: standard white colour R01.

PRODUCT CERTIFICATES



P. max: 5 bar

T. max: 110° C

Available for central heating systems

Connections: n° 2 x 1/2" gas - n° 1 x 1/2" gas

AWARD

**DESIGN PLUS
WINNER**

**COMFORT & DESIGN
AWARD**

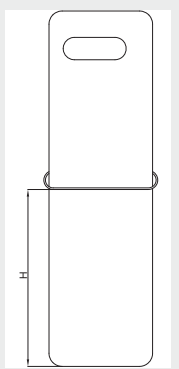
**ŁAZIENKA
AWARD**

**PRIX DU DESIGN IDÉO BAIN
NOMINÈ**

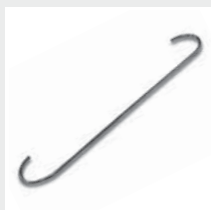


HOW TO PLACE
TOWEL BAR
BADGE VERTICAL
(ACCESSORIES)

Model	H
	[mm]
1212x512	800
1755x512	870



ACCESSORIES

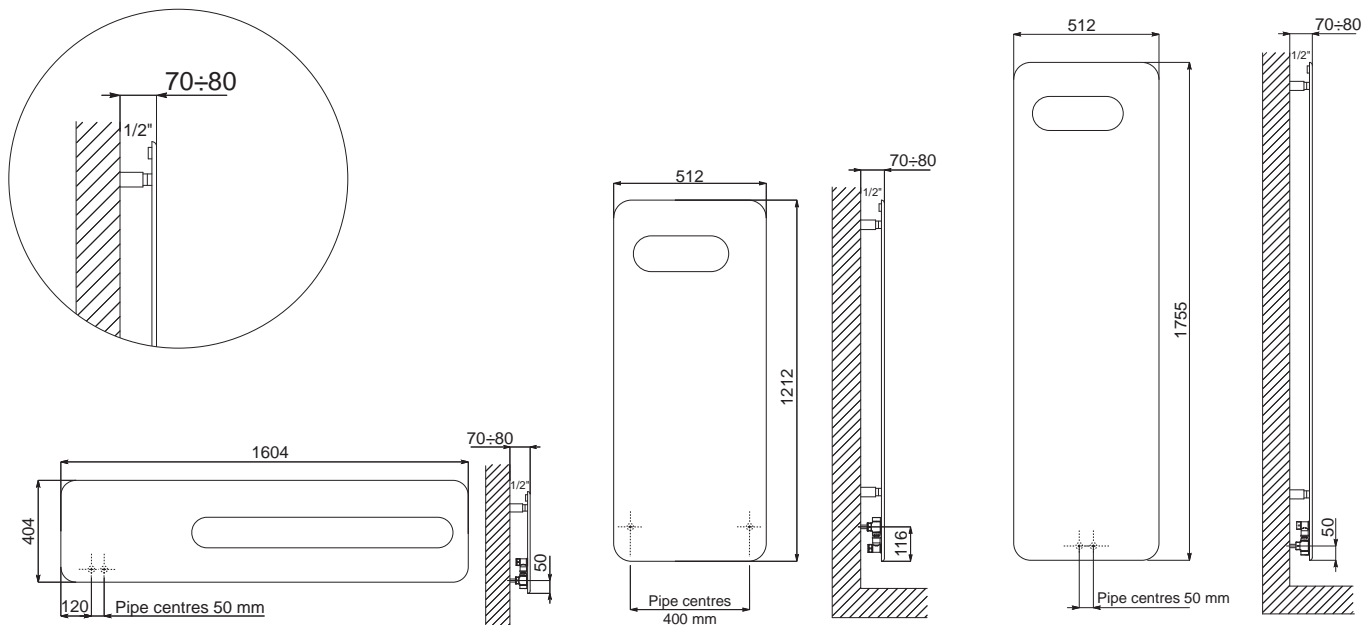


**Straight hanger polished
stainless steel
(L= 570 mm)**

Art. Nr. 5991990310240



Available on vertical
BADGE®



BADGE®

Art. Nr.	Height		Width	Pipe Centres	Dry Weight	Surface	Water Content	Thermal output Watt		Exponent n
	H [mm]	L [mm]						$\Delta t = 50^{\circ}\text{C}$	$\Delta t = 30^{\circ}\text{C}$	
3540806100021	404	1604	50	19	0,96	1,1	572	306	1,2224	
3540806100025	1212	512	400	20	1,12	0,8	567	301	1,2398	
3540806100030	1755	512	50	28,5	1,66	1,2	795	436	1,1749	

Art. Nr. are referred to colour WHITE R01 version.

Includes valves.

For output at different Δt than 50°C , please refer to the following formula: $\text{desired output} = \text{output at } \Delta t 50^{\circ}\text{C} \times (\text{desired } \Delta t / 50)^n$



BADGE® CONTROL

design **Simone Micheli**



**EUROPEAN
WARRANTY**

MATERIAL:

Super slim heating body in painted carbon steel.

FIXING KIT:

Brackets, airvent, hexagonal tool, plugs and screws for mounting suitable for use on compact or hollow brick, user notice.

The kit is certified from TÜV in compliance with VDI 6036-class 4.

VALVE KIT INCLUDES:

Valves with thermostatic head
Fittings for copper pipe (Ø 12/14/15)
Fittings for multilayer pipe (Ø 16)

PACKAGING:

The radiator is protected by a film in polyethylene and with a carton box. User notice included.

PAINTING PROCESS:

Painted with ecological epoxy. (Certificate DIN 55900-1,-2). Thermal outputs certified in accredited laboratories in compliance with European norm EN442.

COLOURS:

Radiator and accessories: standard white colour R01.

PRODUCT CERTIFICATES



P. max: 5 bar

T. max: 110° C

Available for central heating systems

Connections: n° 2 x 1/2" gas - n° 1 x 1/2" gas

AWARD

DESIGN PLUS WINNER

**COMFORT & DESIGN
AWARD**

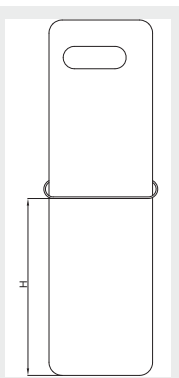
**ŁAZIENKA
AWARD**

**PRIX DU DESIGN IDÉO BAIN
NOMINÉ**

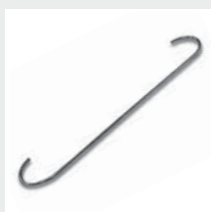


HOW TO PLACE
TOWEL BAR
BADGE VERTICAL
(ACCESSORIES)

Model	H
	[mm]
1212x512	800
1755x512	870



ACCESSORIES

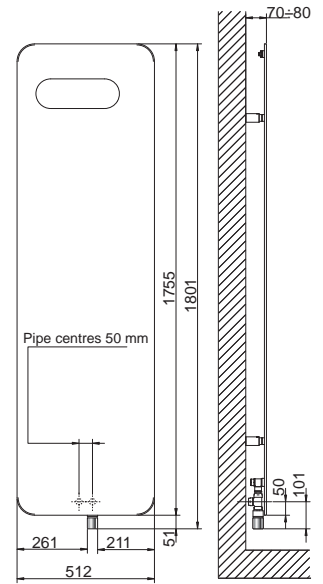
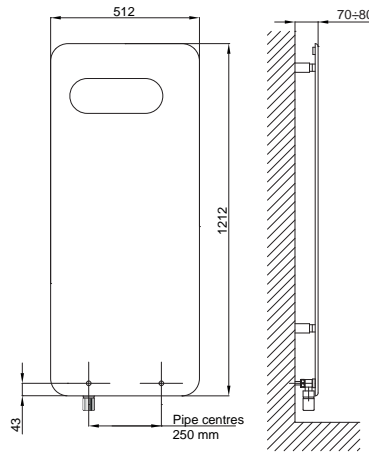
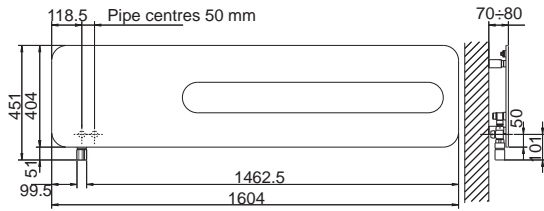
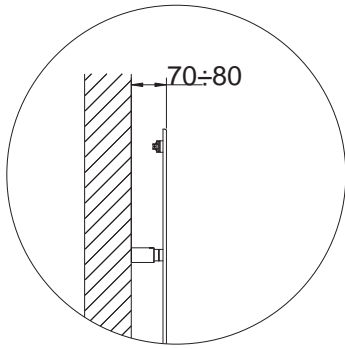


**Straight hanger polished
stainless steel
(L= 570 mm)**

Art. Nr. 5991990310240



Available on vertical
BADGE®



BADGE[®] CONTROL

Art. Nr.	Height	Width	Pipe Centres	Dry Weight	Surface	Water Content	Thermal output Watt		Exponent n
	H [mm]	L [mm]	I [mm]	[Kg]	[m ²]	[lt]	$\Delta t = 50^{\circ}\text{C}$	$\Delta t = 30^{\circ}\text{C}$	
3540806100041	404	1604	50	19	0,96	1,1	572	306	1,2224
3540806100051	1212	512	250	20	1,12	0,8	567	301	1,2398
3540806100050	1755	512	50	28,5	1,66	1,2	795	436	1,1749

Art. Nr. are referred to colour WHITE R01 version.

Include valve kit and thermostatic head, in accordance with EN215:2007.

For output at different Δt than 50°C , please refer to the following formula: desired output = output at $\Delta t 50^{\circ}\text{C}$ x (desired $\Delta t/50$)ⁿ