



HAND®



**EUROPEAN
WARRANTY**

MATERIAL:

Super slim heating body in painted carbon steel.

FIXING KIT:

Brackets, airvent, hexagonal tool, plugs and screws for mounting suitable for use on compact or hollow brick, user notice, fixing template scheme. The kit is certified from TÜV in compliance with VDI 6036-class 4.

VALVE KIT INCLUDES:

Valves
Fittings for copper pipe (Ø 12/14/15)
Fittings for multilayer pipe (Ø 16)

PACKAGING:

The radiator is protected by a film in polyethylene and with a carton box. User notice included.

PAINTING PROCESS:

Painted with ecological epoxy. (Certificate DIN 55900-1,-2). Thermal outputs certified in accredited laboratories in compliance with European norm EN442.

COLOURS:

Radiator and accessories: standard white colour R01.

PRODUCT CERTIFICATES



P. max: 5 bar

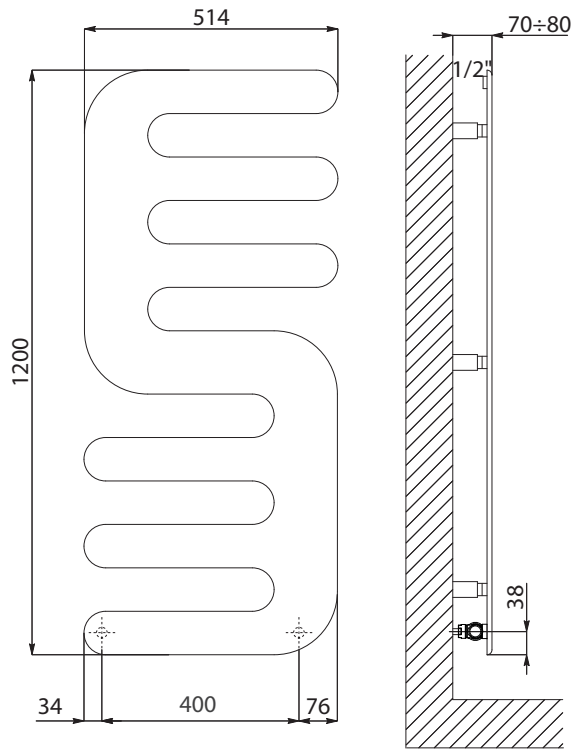
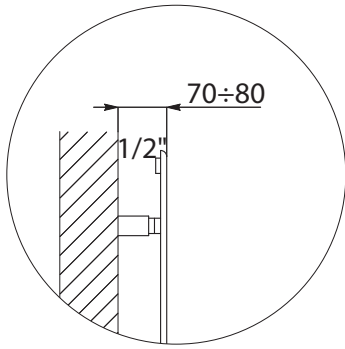
T. max: 110° C

Available for central heating systems

Connections: n° 2 x 1/2" gas - n° 1 x 1/2" gas

AWARDS





HAND®

Art. Nr.	Height	Width	Pipe Centres	Dry Weight	Surface	Water Content	Thermal output Watt		Exponent n
	H [mm]	L [mm]	I [mm]	[Kg]	[m ²]	[lt]	$\Delta t = 50^{\circ}\text{C}$	$\Delta t = 30^{\circ}\text{C}$	
3540806100011	1200	514	400	15,5	0,76	1,3	490	259	1,2475

Art. Nr. are referred to colour WHITE R01 - version.

Includes valves.

For output at different Δt than 50°C , please refer to the following formula: desired output = output at $\Delta t 50^{\circ}\text{C}$ x (desired $\Delta t/50$)ⁿ



HAND[®] CONTROL



EUROPEAN
WARRANTY

MATERIAL:

Super slim heating body in painted carbon steel.

FIXING KIT:

Brackets, airvent, hexagonal tool, plugs and screws for mounting suitable for use on compact or hollow brick, user notice, fixing template scheme. The kit is certified from TÜV in compliance with VDI 6036-class 4.

VALVE KIT INCLUDES:

Valves with thermostatic head
Fittings for copper pipe (Ø 12/14/15)
Fittings for multilayer pipe (Ø 16)

PACKAGING:

The radiator is protected by a film in polyethylene and with a carton box. User notice included.

PAINTING PROCESS:

Painted with ecological epoxy. (Certificate DIN 55900-1,-2). Thermal outputs certified in accredited laboratories in compliance with European norm EN442.

COLOURS:

Radiator and accessories: standard white colour R01.

PRODUCT CERTIFICATES



P. max: 5 bar

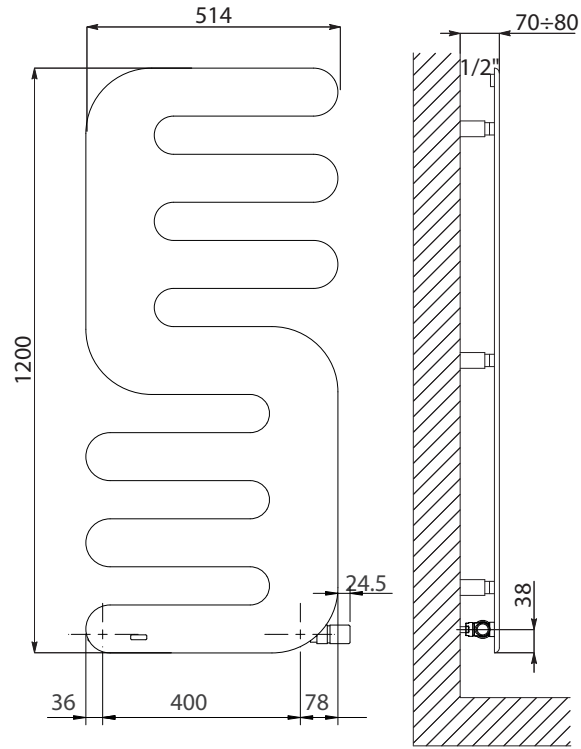
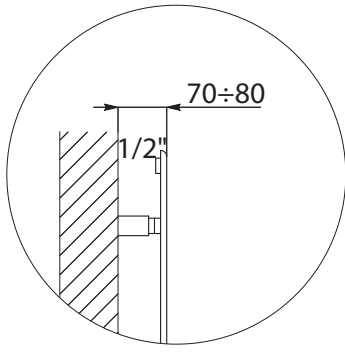
T. max: 110° C

Available for central heating systems

Connections: n° 2 x 1/2" gas - n° 1 x 1/2" gas

AWARDS





HAND[®] CONTROL

Art. Nr.	Height	Width	Pipe Centres	Dry Weight	Surface	Water Content	Thermal output Watt		Exponent n
	H [mm]	L [mm]	I [mm]	[Kg]	[m ²]	[lt]	Δt = 50°C	Δt = 30°C	
3540806100016	1200	514	400	15,5	0,76	1,3	490	259	1,2475

Art. Nr. are referred to colour WHITE R01 - version.

Include valve kit and thermostatic head, in accordance with EN215:2007.

For output at different Δt than 50°C, please refer to the following formula: desired output = output at Δt 50°C x (desired Δt/50)ⁿ