



MOVIE®

design **Mariano Moroni**



**EUROPEAN
WARRANTY**

MATERIAL:

Super slim heating body in painted carbon steel.

FIXING KIT:

Brackets, airvent, hexagonal tool, plugs and screws for mounting suitable for use on compact or hollow brick, user notice.

The kit is certified from TÜV in compliance with VDI 6036-class 4.

VALVE KIT INCLUDES:

Valves

Fittings for copper pipe (Ø 12/14/15)

Fittings for multilayer pipe (Ø 16)

PACKAGING:

The radiator is protected by a film in polyethylene and with a carton box. User notice included.

PAINTING PROCESS:

Painted with ecological epoxy. (Certificate DIN 55900-1,-2).

Thermal outputs certified in accredited laboratories in compliance with European norm EN442.

COLOURS:

Radiator and accessories: standard white colour R01.

PRODUCT CERTIFICATES



P. max: 5 bar

T. max: 110° C

Available for central heating systems

Connections: n° 2 x 1/2" gas - n° 2 x 1/2" gas

AWARD

COMFORT & DESIGN

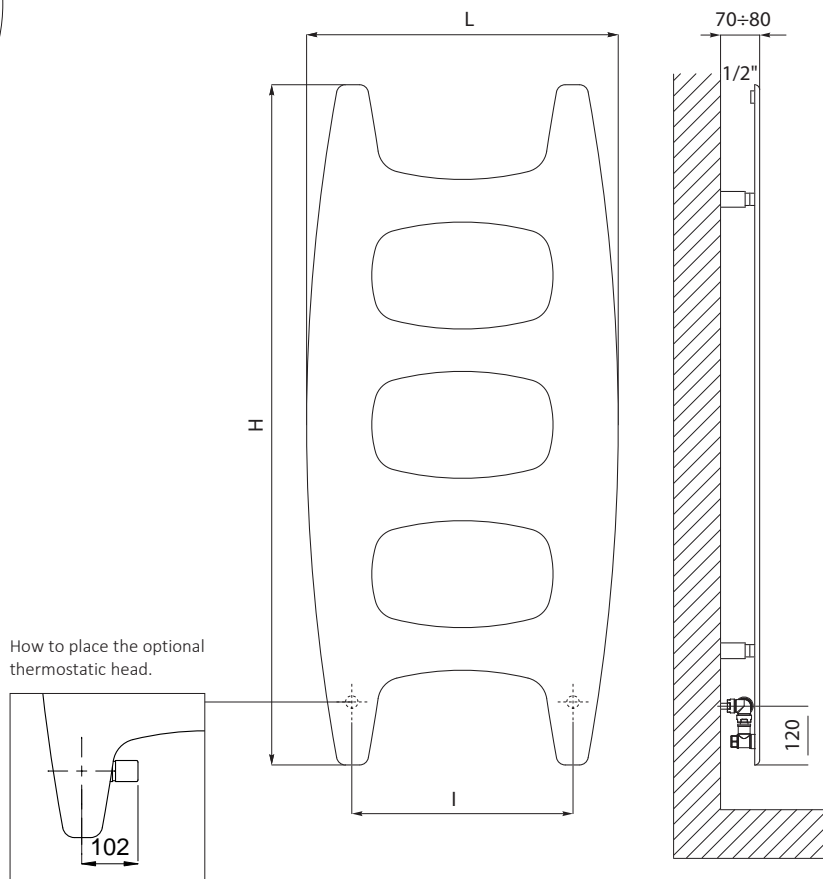
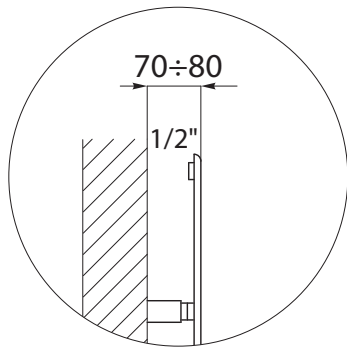
NOMINÉ

ACCESSORIES



**Liquid thermostatic head
- polished**

Art. Nr. 5035270710002



How to place the optional thermostatic head.

MOVIE®

Art. Nr.	Height	Width	Pipe Centres	Dry Weight	Surface	Water Content	Thermal output Watt		Exponent n
	H [mm]	L [mm]	I [mm]	[Kg]	[m ²]	[lt]	$\Delta t = 50^{\circ}\text{C}$	$\Delta t = 30^{\circ}\text{C}$	
3540806100002	1130	510	360 ÷ 400	15	0,6	1,1	385	209	1,1958
3540806100001	1392	642	450	18	0,92	1,3	559	300	1,2202

Art. Nr. are referred to colour WHITE R01 version.

Includes valves.

For output at different Δt than 50°C , please refer to the following formula: desired output = output at $\Delta t 50^{\circ}\text{C}$ x (desired $\Delta t/50$)ⁿ