



# STRADIVARI HORIZONTAL

SATIN STAINLESS STEEL

design **Luca Scacchetti**



**15 YEARS  
WARRANTY**

#### MATERIAL:

Vertical collectors in satin stainless steel.  
Horizontal heating elements in satin stainless steel.

#### FIXING KIT:

Brackets, airvent, blind plug, hexagonal tool, plugs and screws for mounting suitable for use on compact or hollow brick, user notice.

#### PACKAGING:

The radiator is protected by a film in polyethylene and with a carton box. User notice included.

#### FEATURES:

It is totally made in stainless steel with an unalterable finishing.  
Brightness guaranteed during the years.  
Thermal outputs certified in accredited laboratories in compliance with European norm EN442.

## PRODUCT CERTIFICATES



P. max: 8 bar

T. max: 110° C

Available for central heating systems

Connections: n° 4 x 1/2" gas

## AWARD

**CASANOVA ROOM**  
NUMBER 3

## ACCESSORIES



**Elegant manual square satin valve**

Copper connection  $\varnothing$  12/14/15  
Art. Nr. 5991990320209

Multilayer connection  $\varnothing$  16  
Art. Nr. 5991990320208



**Elegant square with thermostatic head satin valve**

Copper connection  $\varnothing$  12/14/15  
Art. Nr. 5991990320197

Multilayer connection  $\varnothing$  16  
Art. Nr. 5991990320196



**Elegant corner dx with thermostatic head satin valve kit**

Copper connection  $\varnothing$  12/14/15  
Art. Nr. 5991990320204

Multilayer connection  $\varnothing$  16  
Art. Nr. 5991990320202



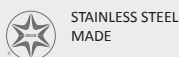
**Straight hanger satin stainless steel (L= 420 mm)**

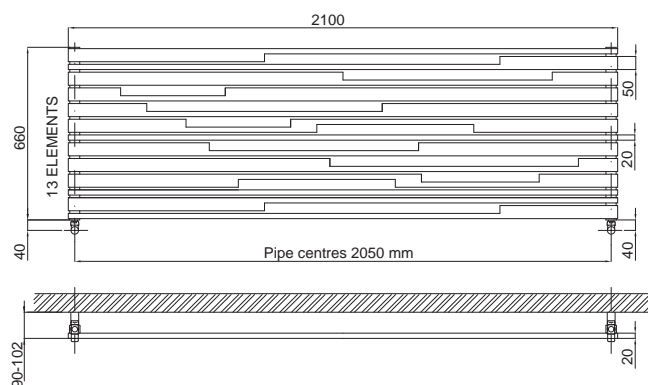
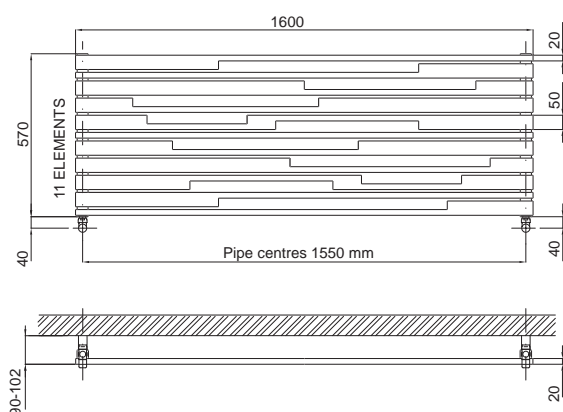
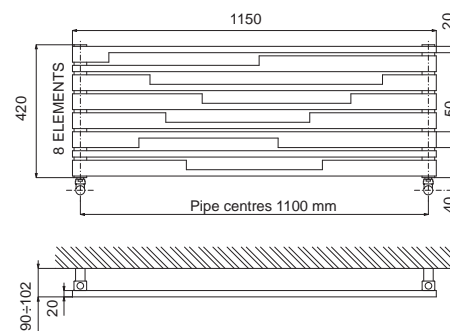
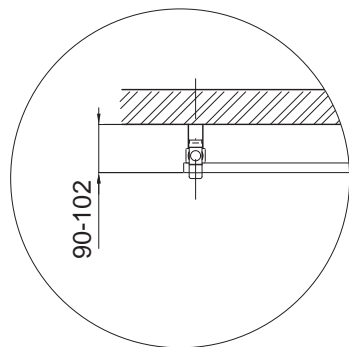
Art. Nr. 5991990010159



**Sleeving kit for satin valves**

Art. Nr. 5103000000045

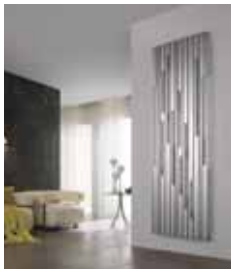




## STRADIVARI HORIZONTAL - SATIN STAINLESS STEEL

Art. Nr.	Height	Width	Pipe Centres	Dry Weight	Surface	Water Content	Thermal output Watt		Exponent n
	H [mm]	L [mm]	l [mm]	[Kg]	[m <sup>2</sup> ]	[lt]	$\Delta t = 50^{\circ}\text{C}$	$\Delta t = 30^{\circ}\text{C}$	
3620760450006	<b>420</b>	1150	1100	14	1,80	6	347	187	1,2100
3620760450003	<b>570</b>	1600	1550	25	2,40	9,3	656	355	1,2000
3620760450004	<b>660</b>	2100	2050	37	3,14	15	997	540	1,2000

For output at different  $\Delta t$  than  $50^{\circ}\text{C}$ , please refer to the following formula: desired output = output at  $\Delta t 50^{\circ}\text{C}$  x (desired  $\Delta t/50$ )<sup>n</sup>



# STRADIVARI VERTICAL

SATIN STAINLESS STEEL

design **Luca Scacchetti**



**15 YEARS  
WARRANTY**

#### MATERIAL:

Horizontal collectors in satin stainless steel.  
Vertical heating elements in satin stainless steel.

#### FIXING KIT:

Brackets, airvent, blind plug, hexagonal tool, plugs and screws for mounting suitable for use on compact or hollow brick, user notice.

#### PACKAGING:

The radiator is protected by a film in polyethylene and with a carton box. User notice included.

#### FEATURES:

It is totally made in stainless steel with an unalterable finishing. Brightness guaranteed during the years. Thermal outputs certified in accredited laboratories in compliance with European norm EN442.

## PRODUCT CERTIFICATES



P. max: 8 bar

T. max: 110° C

Available for central heating systems

Connections: n° 4 x 1/2" gas

## AWARD

### CASANOVA ROOM

NUMBER 3

## ACCESSORIES



#### Elegant manual square satin valve

Copper connection  $\varnothing$  12/14/15  
Art. Nr. 5991990320209

Multilayer connection  $\varnothing$  16  
Art. Nr. 5991990320208



#### Elegant corner sx with thermostatic head satin valve kit

Copper connection  $\varnothing$  12/14/15  
Art. Nr. 5991990320205

Multilayer connection  $\varnothing$  16  
Art. Nr. 5991990320203



#### Elegant corner dx with thermostatic head satin valve kit

Copper connection  $\varnothing$  12/14/15  
Art. Nr. 5991990320204

Multilayer connection  $\varnothing$  16  
Art. Nr. 5991990320202



#### Elegant square with thermostatic head satin valve

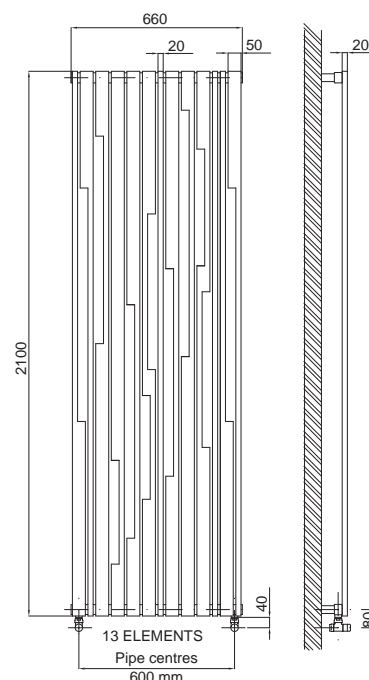
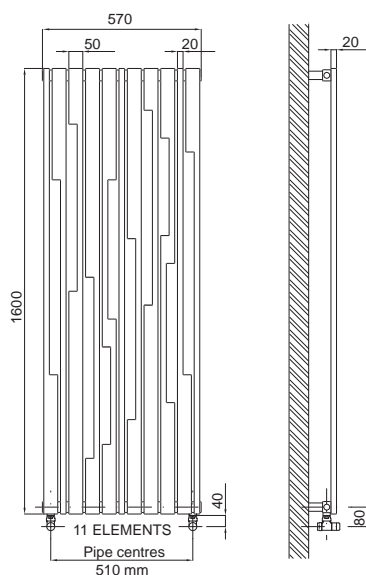
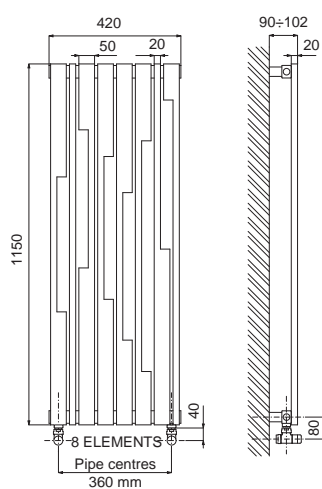
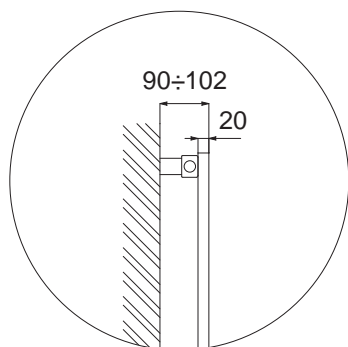
Copper connection  $\varnothing$  12/14/15  
Art. Nr. 5991990320197

Multilayer connection  $\varnothing$  16  
Art. Nr. 5991990320196



#### Sleeving kit for satin valves

Art. Nr. 5103000000045



## STRADIVARI VERTICAL - SATIN STAINLESS STEEL

Art. Nr.	Height	Width	Pipe Centres	Dry Weight	Surface	Water Content	Thermal output Watt		Exponent n
	H [mm]	L [mm]	I [mm]	[Kg]	[m <sup>2</sup> ]	[lt]	$\Delta t = 50^{\circ}\text{C}$	$\Delta t = 30^{\circ}\text{C}$	
3620760450005	<b>1150</b>	420	360	14	1,80	6	378	196	1,2900
3620760450001	<b>1600</b>	570	510	25	2,40	9,3	713	365	1,3103
3620760450002	<b>2100</b>	660	600	37	3,14	15	1084	558	1,3000

For output at different  $\Delta t$  than  $50^{\circ}\text{C}$ , please refer to the following formula: desired output = output at  $\Delta t 50^{\circ}\text{C}$  x (desired  $\Delta t/50$ )<sup>n</sup>