



BLOW®

POLISHED STAINLESS STEEL

design **Jean-Marie Massaud**



**EUROPEAN
WARRANTY**

MATERIAL:

Polished stainless steel.

FIXING KIT:

Brackets, hexagonal tool, plugs and screws for mounting suitable for use on compact or hollow brick, user notice.

The kit is certified from TÜV in compliance with VDI 6036-class 4.

VALVE KIT INCLUDES:

Valves with thermostatic head

Fittings for copper pipe (Ø 12/14/15)

Fittings for multilayer pipe (Ø 16)

PACKAGING:

The radiator is protected by a wooden crate and carton.

User notice included.

FEATURES:

It is totally made in stainless steel with an unalterable finishing guaranteed during the years.

Thermal outputs certified in accredited laboratories in compliance with European norm EN442.

PRODUCT CERTIFICATES



P. max: 5 bar

T. max: 110° C

Available for central heating systems

AWARD



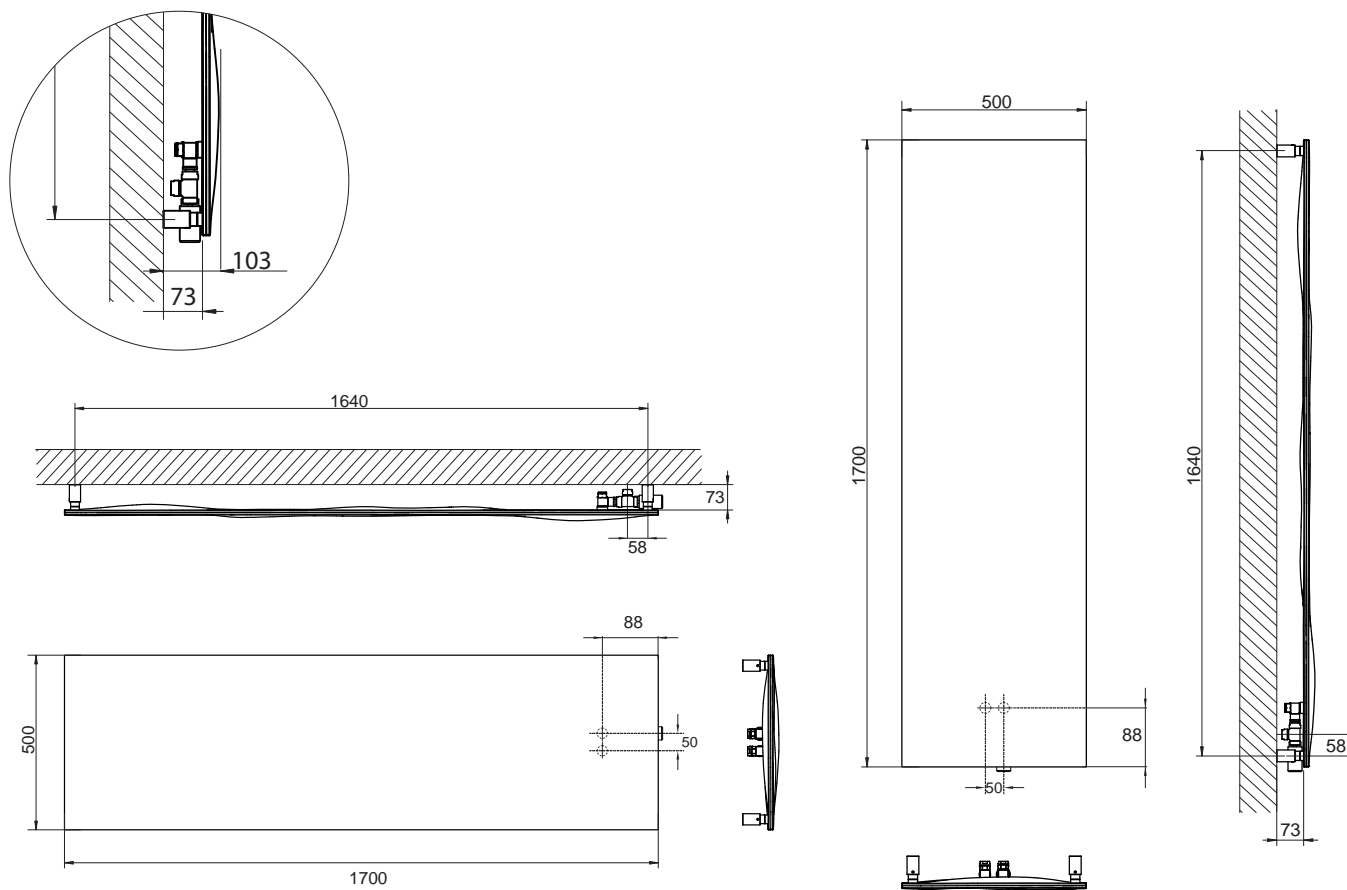
reddot design award
best of the best 2012



German
Design Award

NOMINEE 2014





INOX STYLE

EXTRASLIM®

NEO DESIGN

CLASSIC LINE

GRAPHIC PICTURE

VALVES AND ACCESSORIES
TECHNICAL SUPPORT**BLOW®** POLISHED STAINLESS STEEL

Art. Nr.	Height	Width	Pipe Centres	Dry Weight	Surface	Water Content	Thermal output Watt		Exponent n
	H [mm]	L [mm]	I [mm]	[Kg]	[m ²]	[lt]	$\Delta t = 50^{\circ}\text{C}$	$\Delta t = 30^{\circ}\text{C}$	
3540640130001	1700	500	50	18,7	1,7	1,3	700	374	1,2247
3540640130001	500	1700	50						

Include valve and thermostatic head, in accordance with EN215:2007

For output at different Δt than 50°C , please refer to the following formula: desired output = output at $\Delta t 50^{\circ}\text{C}$ x (desired $\Delta t/50$)ⁿ