



FRAME HORIZONTAL



EUROPEAN
WARRANTY

MATERIAL:

Vertical collectors in painted carbon steel with \varnothing of 30 mm
Heating elements in painted carbon steel
Heating plate in painted carbon steel

FIXING KIT:

Brackets, airvent, hexagonal tool, plugs and screws for mounting suitable for use on compact or hollow brick, user notice.
The kit is certified from TÜV in compliance with VDI 6036-class 4.

PACKAGING:

The radiator is protected by a film in polyethylene and with a carton box.
User notice included.

PAINTING PROCESS:

Painted with ecological epoxy. (Certificate DIN 55900-1,-2).
Thermal outputs certified in accredited laboratories in compliance with European norm EN442.

COLOURS:

Radiator and accessories: standard white colour R01.

PRODUCT CERTIFICATES



P. max: 5 bar

T. max: 110° C

Available for central heating systems

Connections: n° 2 x 1/2" gas - n° 1 x 1/2" gas

HOW TO ORDER THE HORIZONTAL FRAME RADIATORS

ARTICLE CODE STRUCTURE

Radiator model	Radiator dimensions	Article code of the connection	Article code of the color / finish Different color from standard (R01 - R02) surcharge +30%	Constant value
AAAA	BBB CC	DDD	EEE	B

Example

Radiator model Example: Frame radiator	Radiator dimensions Example: mm 480x1832	Article code of the connection Example: connection H01	Article code of the finish Example: White color R01	Constant value
FRST	480 18	H01	R01	B

EXAMPLE OF ARTICLE CODE CREATION

In case of a FRAME OR white 480x1832 mm, with H01 connection.

The article code will be:

FRST 480 18 H01 R01 B

ACCESSORIES



Elegant square manual valve kit painted pure white R01

Copper connection \varnothing 12/14/15
Art. Nr. 5991990310553

Multilayer connection \varnothing 16
Art. Nr. 5991990310552



Tinta valve pipe centres 50 mm with thermostatic head - right

Copper connection \varnothing 12/14/15
Art. Nr. 5991990311217

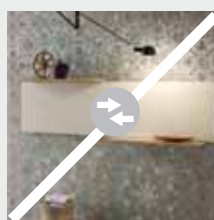
Multilayer connection \varnothing 16
Art. Nr. 5991990311216

FRAME HORIZONTAL with wall-fit valves



LYNEA ACCESSORIES

by Marco Pisati



TOP wood shelf L. 800 mm

Whitened Oak

Art. Nr. 5991990500031

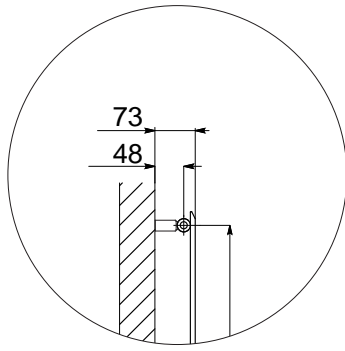
BOTTOM wood shelf L. 800 mm

Whitened Oak

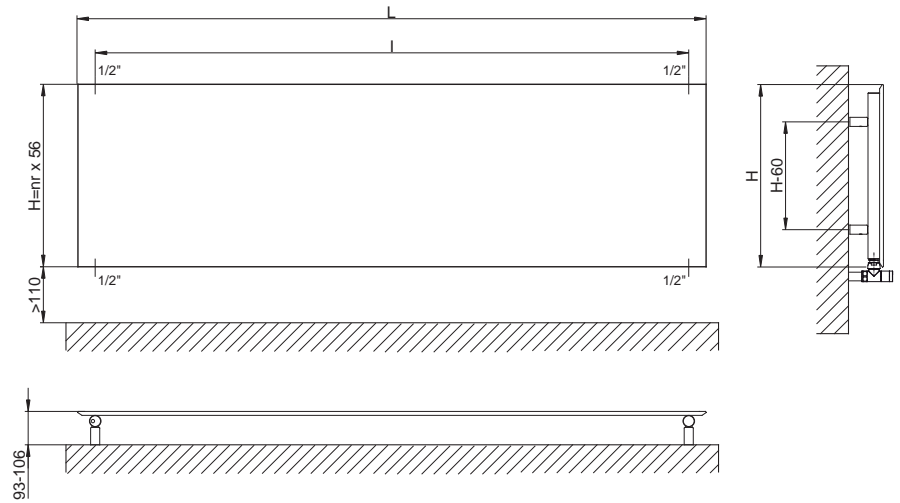
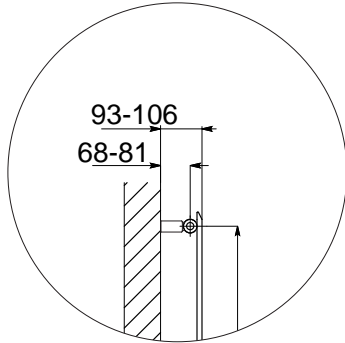
Art. Nr. 5991990500034

Adjustable shelves

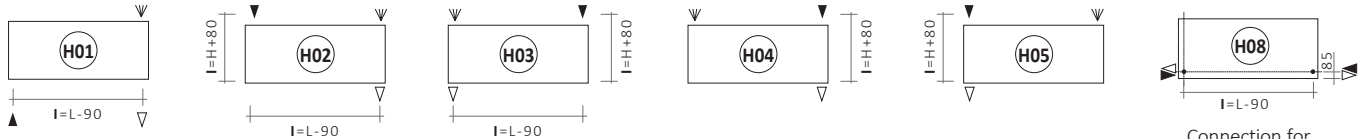
H01 - H02 - H03 - H04 - H05



H08



Standard Connections



Connection for wall-fit valves.

Always specify the kind of connection needed when ordering (da H1 a H8).

Legend = ► In ◄ Out ◀ Airvent H Height I Pipe Centres L Width □ Connection

FRAME HORIZONTAL

DDD: replace with the type of connection.

Art. Nr.	Width	Height	Pipe Centres (H01-H02- H03-H08)	Dry Weight [Kg]	Surface [m ²]	Water Content [lt]	Thermal output Watt		Exponent n
	L [mm]	H [mm]	I [mm]				Δt = 50°C	Δt = 30°C	
FRST 368 10 DDD R01 B	1032	368	942	7,2	0,75	2,64	381	197	1,2894
FRST 480 10 DDD R01 B		480	942	9,7	0,98	3,5	499	258	1,2894
FRST 592 10 DDD R01 B		592	942	12,0	1,21	4,4	617	319	1,2894
FRST 704 10 DDD R01 B		704	942	14,6	1,44	5,2	735	380	1,2894
FRST 368 12 DDD R01 B	1232	368	1142	8,6	0,89	3,02	455	236	1,2881
FRST 480 12 DDD R01 B		480	1142	11,4	1,17	4,0	596	309	1,2881
FRST 592 12 DDD R01 B		592	1142	14,0	1,44	5,1	736	381	1,2881
FRST 704 12 DDD R01 B		704	1142	17,2	1,72	6,1	877	454	1,2881
FRST 368 14 DDD R01 B	1432	368	1342	9,9	1,04	3,5	529	274	1,2867
FRST 480 14 DDD R01 B		480	1342	13,2	1,36	4,6	692	359	1,2867
FRST 592 14 DDD R01 B		592	1342	16,5	1,68	5,9	856	444	1,2867
FRST 704 14 DDD R01 B		704	1342	19,8	2,00	7,0	1020	529	1,2867
FRST 368 16 DDD R01 B	1632	368	1542	11,2	1,16	3,8	595	309	1,2854
FRST 480 16 DDD R01 B		480	1542	14,9	1,55	5,2	789	409	1,2854
FRST 592 16 DDD R01 B		592	1542	18,6	1,94	6,8	976	506	1,2854
FRST 368 18 DDD R01 B	1832	368	1742	12,5	1,33	4,37	676	351	1,2840
FRST 480 18 DDD R01 B		480	1742	16,6	1,74	5,8	880	457	1,2840
FRST 592 18 DDD R01 B		592	1742	20,9	2,15	7,2	1100	571	1,2840
FRST 704 18 DDD R01 B		704	1742	25,0	2,56	8,7	1304	677	1,2840
FRST 368 20 DDD R01 B	2032	368	1942	13,5	1,47	4,85	750	390	1,2826
FRST 480 20 DDD R01 B		480	1942	18,4	1,93	6,4	978	508	1,2826
FRST 592 20 DDD R01 B		592	1942	23,0	2,38	8,0	1222	635	1,2826
FRST 704 20 DDD R01 B		704	1942	27,6	2,84	9,6	1447	751	1,2826

Art. Nr. are referred to colour WHITE R01 version.

For output at different Δt than 50°C, please refer to the following formula: desired output = output at Δt 50°C x (desired Δt/50)ⁿ