



# JUNGLE®

design **Mariano Moroni**



**EUROPEAN  
WARRANTY**

## **MATERIAL:**

Super slim heating body in painted carbon steel.

## **FIXING KIT:**

Brackets, airvent, hexagonal tool, plugs and screws for mounting suitable for use on compact or hollow brick, user notice.

The kit is certified from TÜV in compliance with VDI 6036-class 4.

## **VALVE KIT INCLUDES:**

Valves

Fittings for copper pipe (Ø 12/14/15)

Fittings for multilayer pipe (Ø 16)

## **PACKAGING:**

The radiator is protected by a film in polyethylene and with a carton box. User notice included.

## **PAINTING PROCESS:**

Painted with ecological epoxy. (Certificate DIN 55900-1,-2).

Thermal outputs certified in accredited laboratories in compliance with European norm EN442.

## **COLOURS:**

Radiator and accessories: standard white colour R01.

## PRODUCT CERTIFICATES

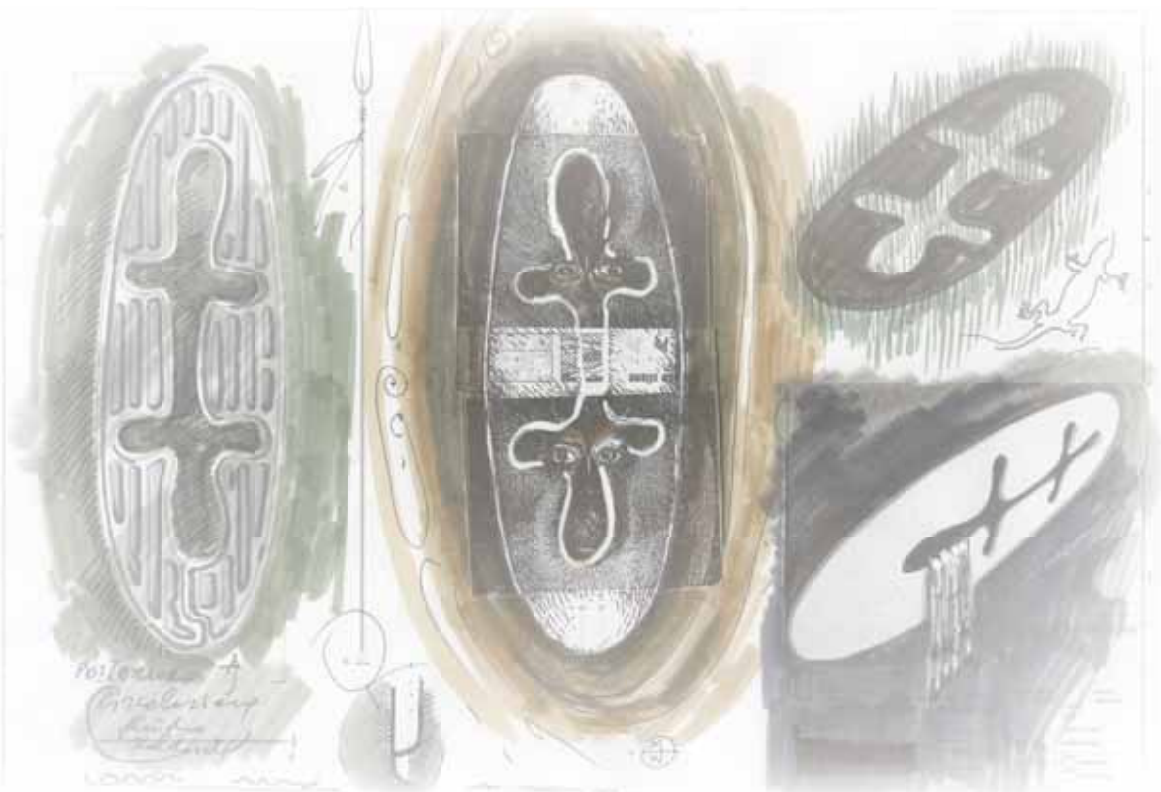


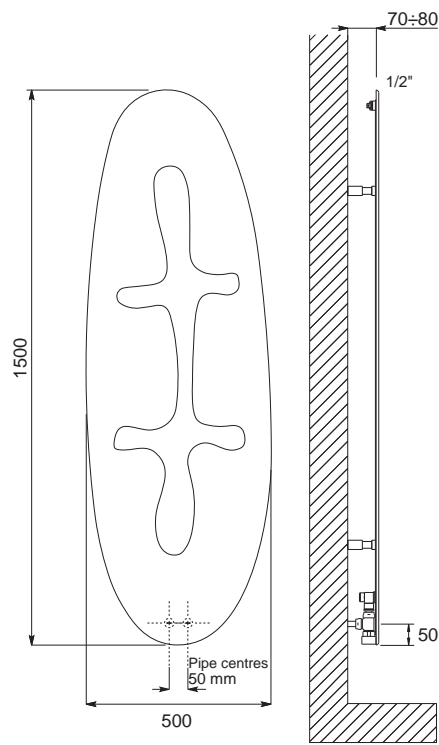
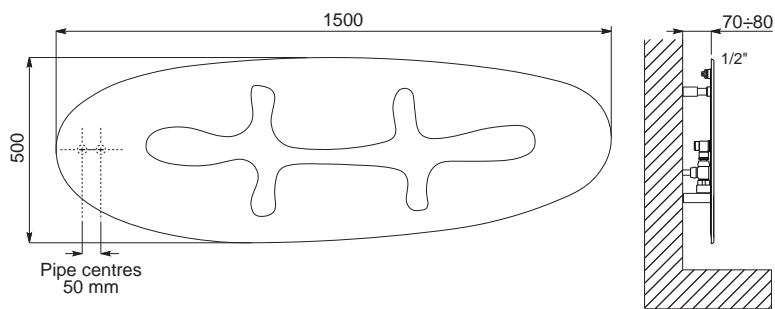
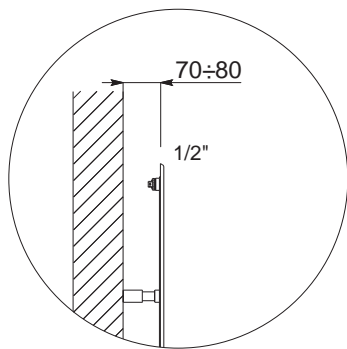
P. max: 5 bar

T. max: 110° C

Available for central heating systems

Connections: n° 2 x 1/2" gas - n° 1 x 1/2" gas





## JUNGLE®

Art. Nr.	Height		Width	Pipe Centres	Dry Weight	Surface	Water Content	Thermal output Watt		Exponent n
	H [mm]	L [mm]						$\Delta t = 50^{\circ}\text{C}$	$\Delta t = 30^{\circ}\text{C}$	
3540806100060	<b>1500</b>	500	50	19	0,92	1	557	296	1,2355	
3540806100065	<b>500</b>	1500	50	19	0,92	1	573	310	1,2005	

Art. Nr. are referred to colour WHITE R01 version.

Includes valves.

For output at different  $\Delta t$  than  $50^{\circ}\text{C}$ , please refer to the following formula: desired output = output at  $\Delta t 50^{\circ}\text{C}$  x (desired  $\Delta t/50$ )<sup>n</sup>



# JUNGLE<sup>®</sup> CONTROL

design **Mariano Moroni**



**EUROPEAN  
WARRANTY**

## **MATERIAL:**

Super slim heating body in painted carbon steel.

## **FIXING KIT:**

Brackets, airvent, hexagonal tool, plugs and screws for mounting suitable for use on compact or hollow brick, user notice.

The kit is certified from TÜV in compliance with VDI 6036-class 4.

## **VALVE KIT INCLUDES:**

Valves with thermostatic head  
Fittings for copper pipe (Ø 12/14/15)  
Fittings for multilayer pipe (Ø 16)

## **PACKAGING:**

The radiator is protected by a film in polyethylene and with a carton box. User notice included.

## **PAINTING PROCESS:**

Painted with ecological epoxy. (Certificate DIN 55900-1,-2).  
Thermal outputs certified in accredited laboratories in compliance with European norm EN442.

## **COLOURS:**

Radiator and accessories: standard white colour R01.

## PRODUCT CERTIFICATES

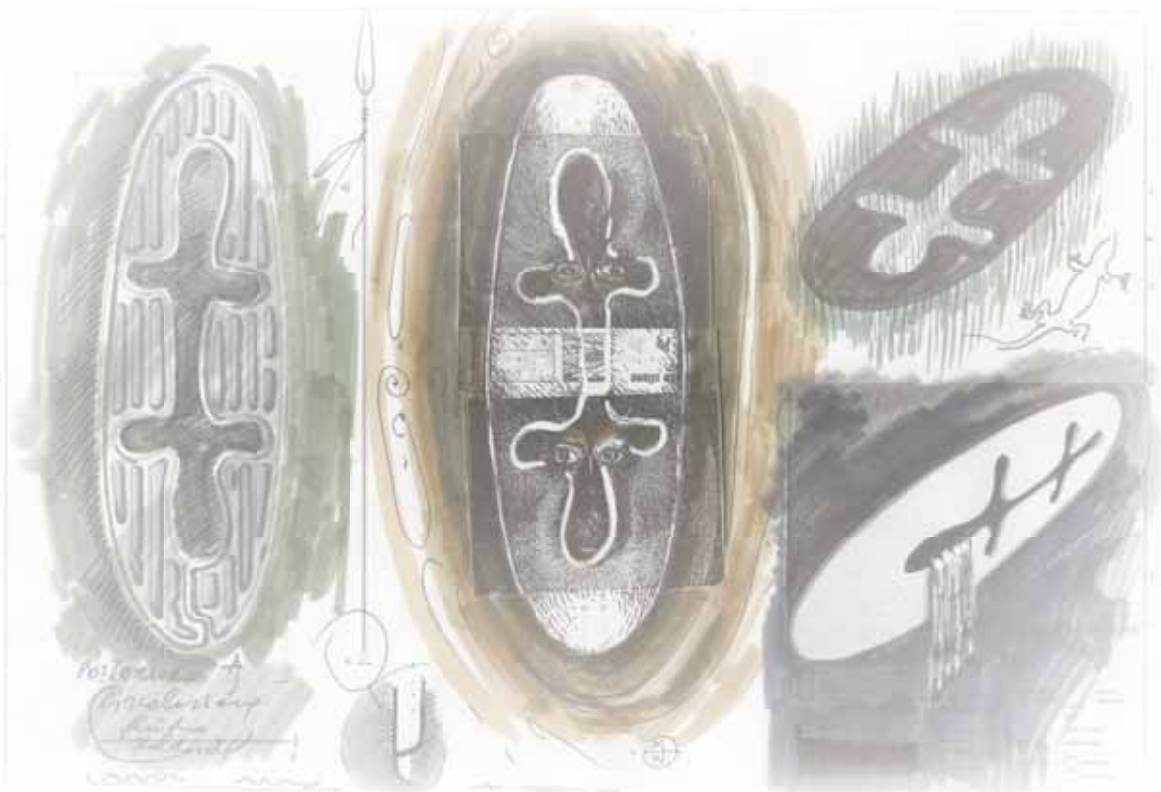


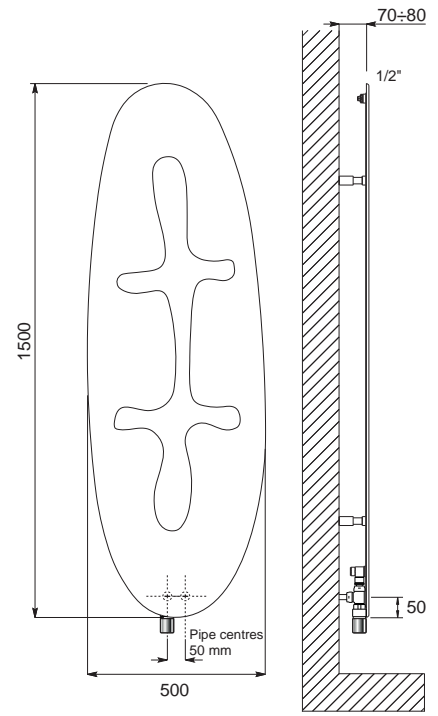
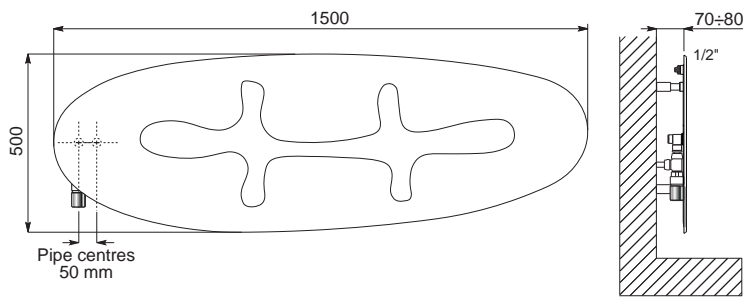
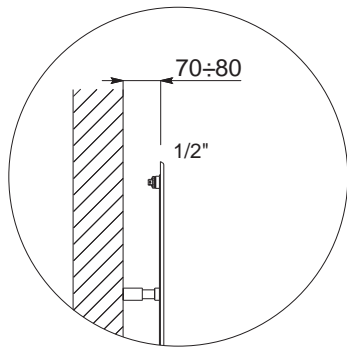
P. max: 5 bar

T. max: 110° C

Available for central heating systems

Connections: n° 2 x 1/2" gas - n° 1 x 1/2" gas





## JUNGLE<sup>®</sup> CONTROL

Art. Nr.	Height	Width	Pipe Centres	Dry Weight	Surface	Water Content	Thermal output Watt		Exponent n
	H [mm]	L [mm]	I [mm]	[Kg]	[m <sup>2</sup> ]	[lt]	$\Delta t = 50^{\circ}\text{C}$	$\Delta t = 30^{\circ}\text{C}$	
3540806100070	<b>1500</b>	500	50	19	0,92	1	557	296	1,2355
3540806100075	<b>500</b>	1500	50	19	0,92	1	573	310	1,2005

Art. Nr. are referred to colour WHITE R01 version.

Include valve kit and thermostatic head, in accordance with EN215:2007.

For output at different  $\Delta t$  than  $50^{\circ}\text{C}$ , please refer to the following formula: desired output = output at  $\Delta t 50^{\circ}\text{C}$  x (desired  $\Delta t/50$ )<sup>n</sup>